

Light Fitting OPTIONS:

- 1) MATERIAL CONSTRUCTION : STAINLESS STEEL
- 2) VOLTAGE : 220V DC/110V AC/110V DC/24V AC
- 3) GLASS TYPE : FLAT
- 4) LED MAKE : CITIZEN/OSRAM/BRIDGELUX/EQUIVALENT
- 5) DRIVER MAKE : OSRAM/PHILIPS/FULHAM/EQUIVALENT
- 6) CABLE GLAND & PLUG : BRASS/S.S./ALUMINIUM
- 7) WIRE GUARD : M.S. WHITE EPOXY POWDER COATED / S.S.
- 8) CLEAN ROOM FRAME : S.S. FRAME FOR CLEAN ROOM AREA (REFER DRG.)

Reference IS/IEC Standard as follows :

- 1 - FLAMEPROOF (Ex d) PROTECTION - IIA & IIB, IS/IEC 60079-1 (2014)
- TEMPERATURE CLASS - T6
- 2 - INGRESS (IP) PROTECTION - IP-66, IS/IEC 60529 (2001). (Reaffirmed 2014)

Standard Specification :

- 1 - MATERIAL - CAST ALUMINIUM ALLOY
- 2 - FINISH - INSIDE & OUTSIDE LIGHT GREY EPOXY POWDER COATING SHADE No. 631 AS PER IS-5
- 3 - EARTHING - 1 No. INSIDE & 2 Nos. OUTSIDE M6 SIZE S.S./BRASS SCREWS WITH 2 Nos. PLAIN WASHER
- 4 - HARDWARE - STAINLESS STEEL
- 5 - GASKET - NEOPRENE RUBBER GASKET
- 6 - MOUNTING ARRGT. - AS SHOWN IN DRG.

Material / Components Specification :

- 1 - S.S. NAME CUM WARNING PLATE (WITH DESCRIPTION TITLE, CIMFR, PESO, SR. NO., GAS GROUP, RATING, BIS MARKING, WARNING STATUS, etc...)
- 2 - GLASS - HEAT RESISTANCE CLEAR TOUCHENED GLASS 'TYPE-A' OF 'SUDHIR' BRAND
- 3 - CABLE ENTRIES - 2 Nos. M20 / 1/2" NPT / 3/4" ET SIZE CABLE ENTRIES FROM SIDE (REFER DRAWING)
- 4 - TERMINALS - 6 Nos. 2.5sq. mm (MICRO) CLIP-ON TYPE TERMINALS OF 'ELMEY/CONNECTWELL' MAKE

Light Fitting Standard Specification :

- a) WATTAGE : 30 WATTS
- b) VOLTAGE : 140V-270V AC
- c) POWER FACTOR : ≥0.95
- d) INPUT FREQUENCY : 50 Hz
- e) EFFICACY : ≥100 LUMEN PER WATT
- f) COLOUR (CCT) : 3000K/5700K/6500K/OR AS SPECIFIED
- g) CRI : ≥80 RA
- h) TOTAL HARMONIC DISTORTION : ≤ 10% THD
- i) SURFACE TEMPERATURE : MAX. 70°
- j) SURGE PROTECTION : 10 KV SPD

NOTE :		CAT. No.	CRF/1273
COMPONENT LAYOUT IS TENTATIVE RELOCATION OF PARTS & COMPONENTS IS POSSIBLE AT THE TIME OF ACTUAL MANUFACTURING.		MODEL No.:	CRF/1273/T1/30
OVERALL DIMENSIONS ARE ±10mm		DRN.	JASHAKH
DRN.		CHKD.	
APPR.		SCALE	N. T. S. REV.-0
REV.	DATE	DESCRIPTION	DRN.

NOTE :		CAT. No.	CRF/1273
COMPONENT LAYOUT IS TENTATIVE RELOCATION OF PARTS & COMPONENTS IS POSSIBLE AT THE TIME OF ACTUAL MANUFACTURING.		MODEL No.:	CRF/1273/T1/30
OVERALL DIMENSIONS ARE ±10mm		DRN.	JASHAKH
DRN.		CHKD.	
APPR.		SCALE	N. T. S. REV.-0
REV.	DATE	DESCRIPTION	DRN.

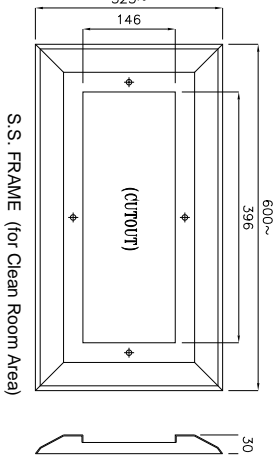
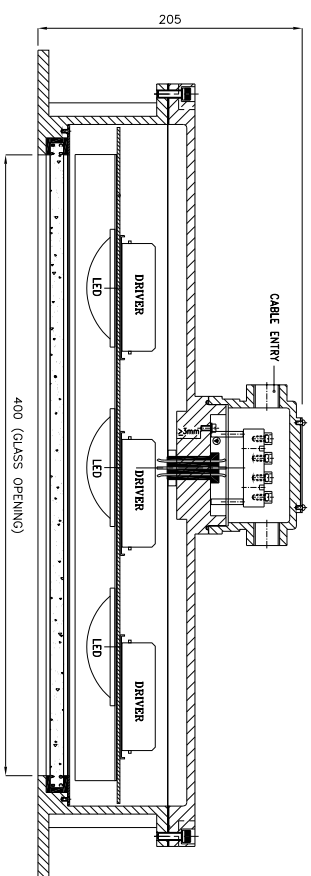
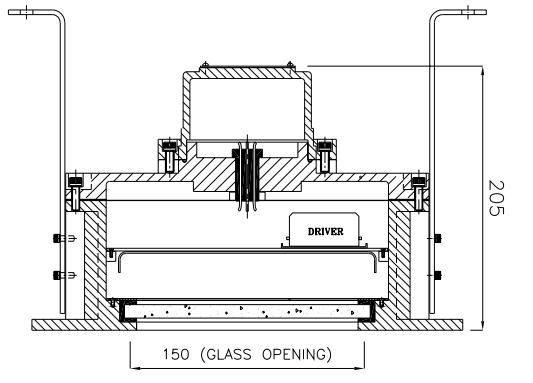
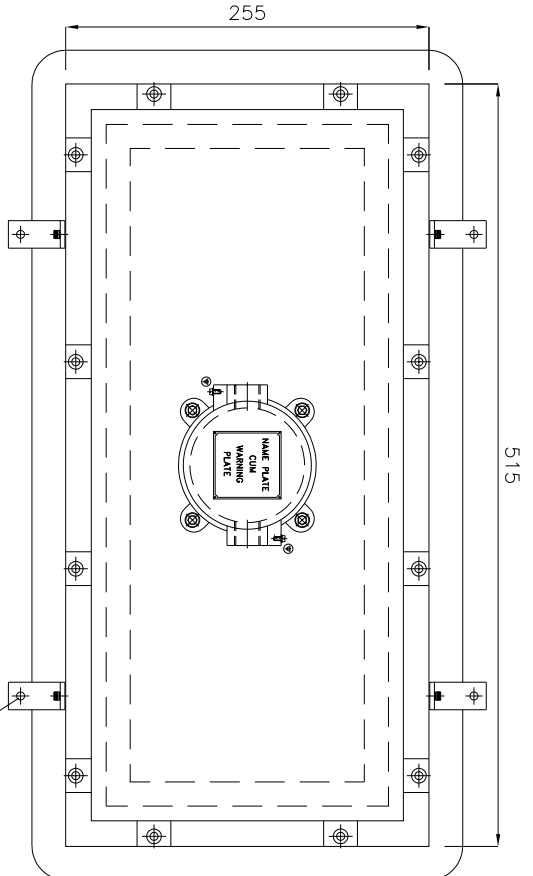
SUDHIR SWITCHGEARS PVT. LTD.
 130, MULBA SAKMACHAR MARG, MULBAH - 400 023

TITLE : FLIP-WP ENCLOSURE FOR LIGHT FITTING
 SUITABLE FOR 30 WATTS LED LIGHT

DRN. CERT. No. : IN/CIMFR/TR22/P/2462
Dt. : 31/03/2014

PESO No. :
BIS LICENCE No. :

THIS DRAWING IS PROPERTY OF "SUDHIR SWITCHGEARS PVT. LTD." AND MUST BE RETURNED ON REQUEST IF IT IS SUBMITTED AS CONFIDENTIAL INFORMATION IN CONNECTION WITH ENQUIRY, TENDER, ORDER, OR CONTRACTS IT IS NOT TO BE USED FOR ANY OTHER PURPOSE OR ORDER NOR MAY IT RE-COPIED OR LENT WITHOUT OUR AUTHORITY IN WRITING.



- Reference IS/IEC Standard as follows :
- 1 - FLAMEPROOF (Ex d) PROTECTION - IIA & IIB, IS/IEC 60079-1 (2014)
 - TEMPERATURE CLASS - T6
 - 2 - INGRESS (IP) PROTECTION - IP-66, IS/IEC 60529 (2001). (Reaffirmed 2014)
- Standard Specification :
- 1 - MATERIAL - CAST ALUMINIUM ALLOY
 - 2 - FINISH - INSIDE & OUTSIDE LIGHT GREY EPOXY POWDER COATING SHADE No. 631 AS PER IS-5
 - 3 - EARTHING - 1 No. INSIDE & 2 Nos. OUTSIDE M6 SIZE S.S./BRASS SCREWS WITH 2 Nos. PLAIN WASHER
 - 4 - HARDWARE - STAINLESS STEEL
 - 5 - GASKET - NEOPRENE RUBBER GASKET
 - 6 - MOUNTING ARRGT. - AS SHOWN IN DRG.
- Material / Components Specification :
- 1 - S.S. NAME CUM WARNING PLATE (WITH DESCRIPTION TITLE, CIMFR, PESO, SR. NO., GAS GROUP, RATING, BIS MARKING, WARNING STATUS, etc...)
 - 2 - GLASS - HEAT RESISTANCE CLEAR TOUCHENED GLASS 'TYPE-A' OF 'SUDHIR' BRAND
 - 3 - CABLE ENTRIES - 2 Nos. M20 / 1/2" NPT / 3/4" ET SIZE CABLE ENTRIES FROM SIDE (REFER DRAWING)
 - 4 - TERMINALS - 6 Nos. 2.5sq. mm (MICRO) CLIP-ON TYPE TERMINALS OF 'ELMEY/CONNECTWELL' MAKE
- Light Fitting Standard Specification :
- a) WATTAGE : 40 WATTS
 - b) VOLTAGE : 140V-270V AC
 - c) POWER FACTOR : ≥0.95
 - d) INPUT FREQUENCY : 50 Hz
 - e) EFFICACY : ≥100 LUMEN PER WATT
 - f) COLOUR (CCT) : 3000K/5700K/6500K/OR AS SPECIFIED
 - g) CRI : ≥80 RA
 - h) TOTAL HARMONIC DISTORTION : ≤ 10% THD
 - i) SURFACE TEMPERATURE : MAX. 70°
 - j) SURGE PROTECTION : 10 KV SPD

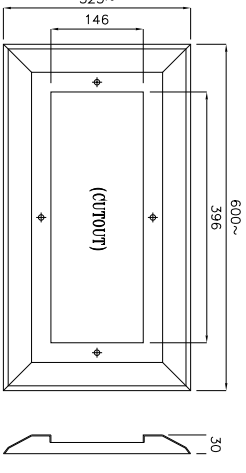
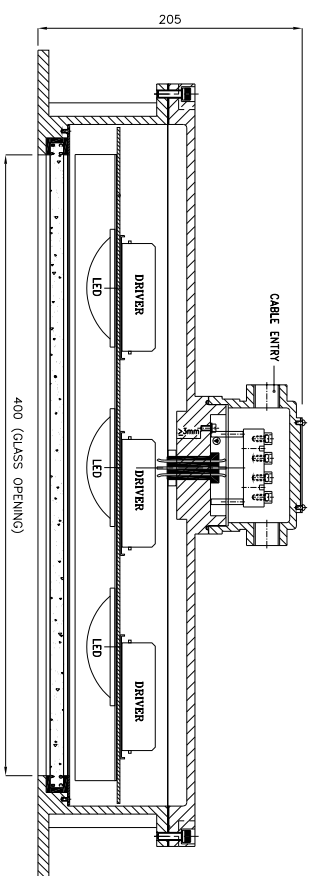
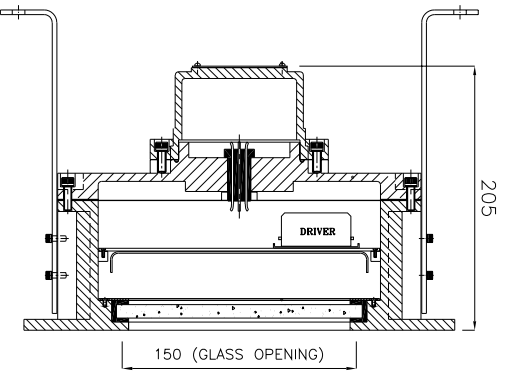
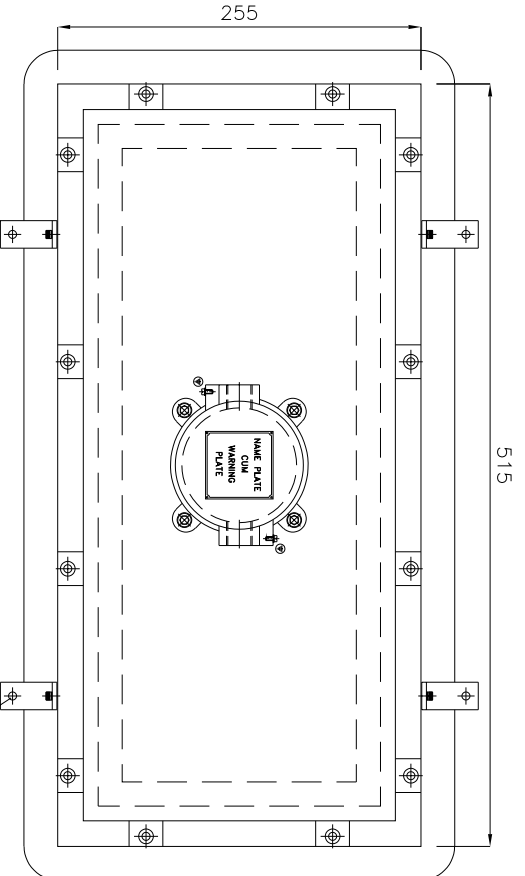
- Light Fitting OPTIONS:
- 1) MATERIAL CONSTRUCTION : STAINLESS STEEL
 - 2) VOLTAGE : 220V DC/110V AC/110V DC/24V AC
 - 3) GLASS TYPE : FLAT
 - 4) LED MAKE : CITIZEN/OSRAM/BRIDGELUX/EQUIVALENT
 - 5) DRIVER MAKE : OSRAM/PHILIPS/FULHAM/EQUIVALENT
 - 6) CABLE GLAND & PLUG : BRASS/S.S./ALUMINIUM
 - 7) WIRE GUARD : M.S. WHITE EPOXY POWDER COATED / S.S.
 - 8) CLEAN ROOM FRAME : S.S. FRAME FOR CLEAN ROOM AREA (REFER DRG.)

NOTE :
 COMPONENT LAYOUT IS TENTATIVE RELOCATION OF PARTS & COMPONENTS IS POSSIBLE AT THE TIME OF ACTUAL MANUFACTURING.
 OVERALL DIMENSIONS ARE ±10mm

REV.	DATE	DESCRIPTION	DRN.	CHD.	APPD.	SCALE	CAT. No.	MODEL No.:	TITLE :	CIMR. CERT. No.	PESO No. :	BIS LICENCE No. :
Δ							CRF/1273	CRF/1273/T1/40	FLP-WP ENCLOSURE FOR LIGHT FITTING SUITABLE FOR 40 WATTS LED LIGHT			
Δ							DRN. profile					
Δ							CHD. JASKHAR					
Δ							SHEET 1 OF 1					
							N. T. S.	REV.-0				
									IN/CIMFR/TR22/P/2462			
									Dt. 31/03/2014			

THIS DRAWING IS PROPERTY OF "SUDHIR SWITCHGEARS PVT. LTD." AND MUST BE RETURNED ON REQUEST IF IT IS SUBMITTED AS CONFIDENTIAL INFORMATION IN CONNECTION WITH ENQUIRY, TENDER, ORDER, OR CONTRACTS IT IS NOT TO BE USED FOR ANY OTHER PURPOSE OR ORDER NOR MAY IT RE-COPIED OR LENT WITHOUT OUR AUTHORITY IN WRITING.

SUDHIR SWITCHGEARS PVT. LTD.
 130, MULBARI SAMACHAR MARG, MULBARI - 400 023



- Light Fitting OPTIONS:**
- 1) MATERIAL CONSTRUCTION : STAINLESS STEEL
 - 2) VOLTAGE : 220V DC/110V AC/110V DC/24V AC
 - 3) GLASS TYPE : FLAT
 - 4) LED MAKE : CITIZEN/OSRAM/BRIDGELUX/EQUIVALENT
 - 5) DRIVER MAKE : OSRAM/PHILIPS/FULHAM/EQUIVALENT
 - 6) CABLE GLAND & PLUG : BRASS/S.S./ALUMINIUM
 - 7) WIRE GUARD : M.S. WHITE EPOXY POWDER COATED / S.S.
 - 8) CLEAN ROOM FRAME : S.S. FRAME FOR CLEAN ROOM AREA (REFER DRG.)

- Reference IS/IEC Standard as follows :
- 1 - FLAMEPROOF (Ex d) PROTECTION - IIA & IIB, IS/IEC 60079-1 (2014)
 - TEMPERATURE CLASS - T6
 - 2 - INGRESS (IP) PROTECTION - IP-66, IS/IEC 60529 (2001). (Reaffirmed 2014)

- Standard Specification :
- 1 - MATERIAL - CAST ALUMINIUM ALLOY
 - 2 - FINISH - INSIDE & OUTSIDE LIGHT GREY EPOXY POWDER COATING SHADE No. 631 AS PER IS-5
 - 3 - EARTHING - 1 No. INSIDE & 2 Nos. OUTSIDE M6 SIZE S.S./BRASS SCREWS WITH 2 Nos. PLAIN WASHER
 - 4 - HARDWARE - STAINLESS STEEL
 - 5 - GASKET - NEOPRENE RUBBER GASKET
 - 6 - MOUNTING ARRGT. - AS SHOWN IN DRG.

- Material / Components Specification :
- 1 - S.S. NAME CUM WARNING PLATE (WITH DESCRIPTION TITLE, CIMFR, PESO, SR. NO., GAS GROUP, RATING, BIS MARKING, WARNING STATUS, etc...)
 - 2 - GLASS - HEAT RESISTANCE CLEAR TOUCHENED GLASS 'TYPE-A' OF 'SUDHIR' BRAND
 - 3 - CABLE ENTRIES - 2 Nos. M20 / 1/2" NPT / 3/4" ET SIZE CABLE ENTRIES FROM SIDE (REFER DRAWING)
 - 4 - TERMINALS - 6 Nos. 2.5sq. mm (MICRO) CLIP-ON TYPE TERMINALS OF 'ELMEY/CONNECTWELL' MAKE

- Light Fitting Standard Specification :
- a) WATTAGE : 60 WATTS
 - b) VOLTAGE : 140V-270V AC
 - c) POWER FACTOR : ≥0.95
 - d) INPUT FREQUENCY : 50 Hz
 - e) EFFICACY : ≥100 LUMEN PER WATT
 - f) COLOUR (CCT) : 3000K/5700K/6500K/OR AS SPECIFIED
 - g) CRI : ≥80 RA
 - h) TOTAL HARMONIC DISTORTION : ≤ 10% THD
 - i) SURFACE TEMPERATURE : MAX. 70°
 - j) SURGE PROTECTION : 10 KV SPD

NOTE :

COMPONENT LAYOUT IS TENTATIVE RELOCATION OF PARTS & COMPONENTS IS POSSIBLE AT THE TIME OF ACTUAL MANUFACTURING.

OVERALL DIMENSIONS ARE ±10mm

CAT. No.	CRF/1273
MODEL No.:	CRF/1273/T1/60
DRW. profile	JMSHW
CHKD.	
APPD.	
SHEET	1 OF 1
SCALE	N. T. S. REV.-0

REV.	DATE	DESCRIPTION	DRN.	CHKD.	APPD.	SCALE
Δ						
Δ						
Δ						

THIS DRAWING IS PROPERTY OF "SUDHIR SWITCHGEARS PVT. LTD." AND MUST BE RETURNED ON REQUEST IF IT IS SUBMITTED AS CONFIDENTIAL INFORMATION IN CONNECTION WITH ENQUIRY, TENDER, ORDER, OR CONTRACTS IT IS NOT TO BE USED FOR ANY OTHER PURPOSE OR ORDER NOR MAY IT RE-COPIED OR LENT WITHOUT OUR AUTHORITY IN WRITING.

SUDHIR SWITCHGEARS PVT. LTD.
 130, MULBARI SAMACHAR MARG, MULBARI - 400 023

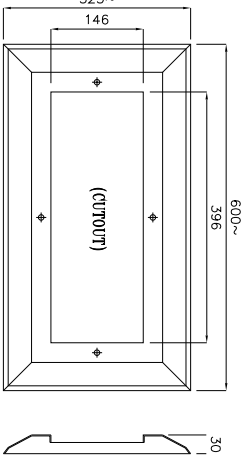
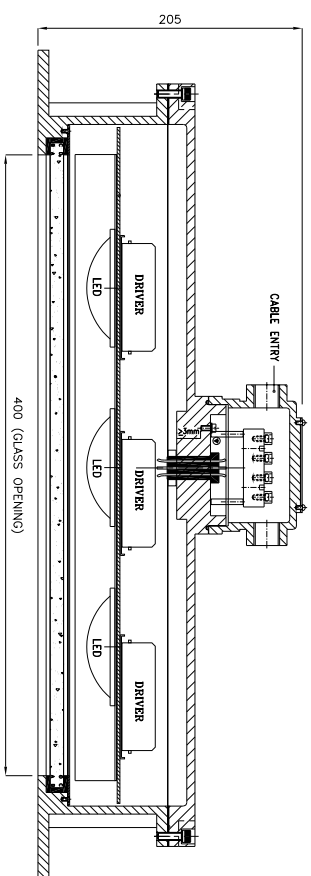
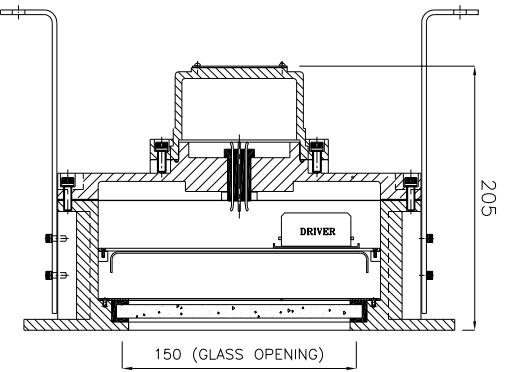
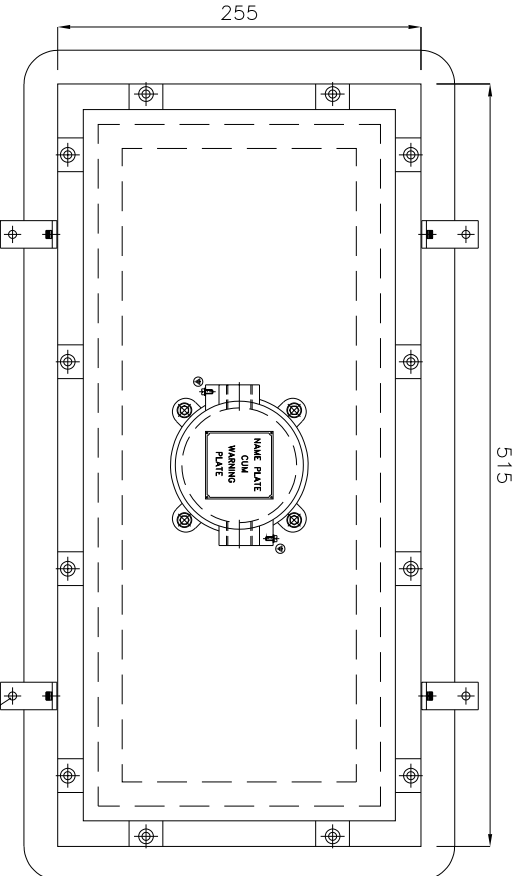
TITLE : **FLP-WP ENCLOSURE FOR LIGHT FITTING SUITABLE FOR 60 WATTS LED LIGHT**

CIMFR CERT. No. : **IN/CIMFR/TR22/P/2462**

Dt. **31/03/2014**

PESO No. : .

BIS LICENCE No. : .



- Reference IS/IEC Standard as follows :
- 1 - FLAMEPROOF (Ex d) PROTECTION - IIA & IIB, IS/IEC 60079-1 (2014)
 - TEMPERATURE CLASS - T6
 - 2 - INGRESS (IP) PROTECTION - IP-66, IS/IEC 60529 (2001). (Reaffirmed 2014)

- Standard Specification :
- 1 - MATERIAL - CAST ALUMINIUM ALLOY
 - 2 - FINISH - INSIDE & OUTSIDE LIGHT GREY EPOXY POWDER COATING SHADE No. 631 AS PER IS-5
 - 3 - EARTHING - 1 No. INSIDE & 2 Nos. OUTSIDE M6 SIZE S.S./BRASS SCREWS WITH 2 Nos. PLAIN WASHER
 - 4 - HARDWARE - STAINLESS STEEL
 - 5 - GASKET - NEOPRENE RUBBER GASKET
 - 6 - MOUNTING ARRGT. - AS SHOWN IN DRG.

- Material / Components Specification :
- 1 - S.S. NAME CUM WARNING PLATE (WITH DESCRIPTION TITLE, CIMFR, PESO, SR. NO., GAS GROUP, RATING, BIS MARKING, WARNING STATUS, etc...)
 - 2 - GLASS - HEAT RESISTANCE CLEAR TOUCHENED GLASS 'TYPE-A' OF 'SUDHIR' BRAND
 - 3 - CABLE ENTRIES - 2 Nos. M20 / 1/2" NPT / 3/4" ET SIZE CABLE ENTRIES FROM SIDE (REFER DRAWING)
 - 4 - TERMINALS - 6 Nos. 2.5sq. mm (MICRO) CLIP-ON TYPE TERMINALS OF 'ELMEY/CONNECTWELL' MAKE

- Light Fitting Standard Specification :
- a) WATTAGE : 90 WATTS
 - b) VOLTAGE : 140V-270V AC
 - c) POWER FACTOR : >0.95
 - d) INPUT FREQUENCY : 50 Hz
 - e) EFFICACY : >100 LUMEN PER WATT
 - f) COLOUR (CCT) : 3000K/5700K/6500K/OR AS SPECIFIED
 - g) CRI : >80 RA
 - h) TOTAL HARMONIC DISTORTION : ≤ 10% THD
 - i) SURFACE TEMPERATURE : MAX. 70°
 - j) SURGE PROTECTION : 10 KV SPD

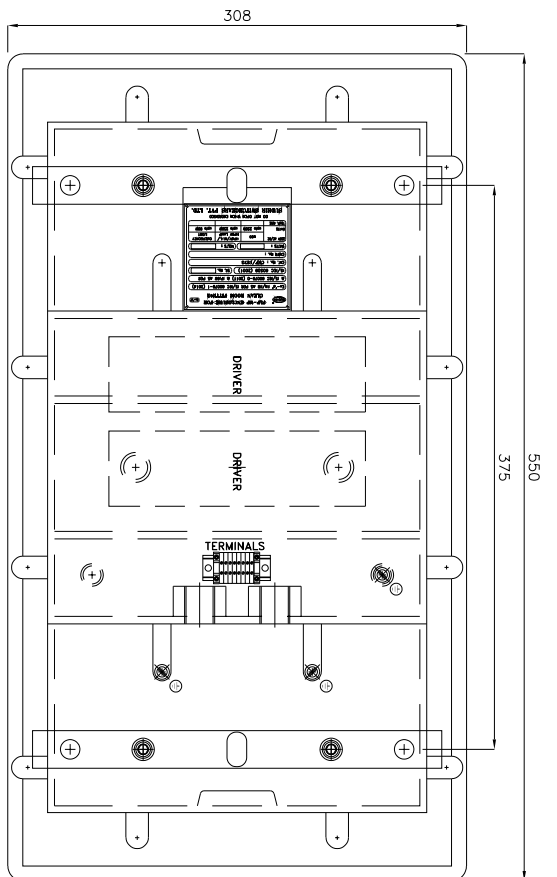
Light Fitting OPTIONS:

- 1) MATERIAL CONSTRUCTION : STAINLESS STEEL
- 2) VOLTAGE : 220V DC/110V AC/110V DC/24V AC
- 3) GLASS TYPE : FLAT
- 4) LED MAKE : CITIZEN/OSRAM/BRIDGELUX/EQUIVALENT
- 5) DRIVER MAKE : OSRAM/PHILIPS/FULHAM/EQUIVALENT
- 6) CABLE GLAND & PLUG : BRASS/S.S./ALUMINIUM
- 7) WIRE GUARD : M.S. WHITE EPOXY POWDER COATED / S.S.
- 8) CLEAN ROOM FRAME : S.S. FRAME FOR CLEAN ROOM AREA (REFER DRG.)

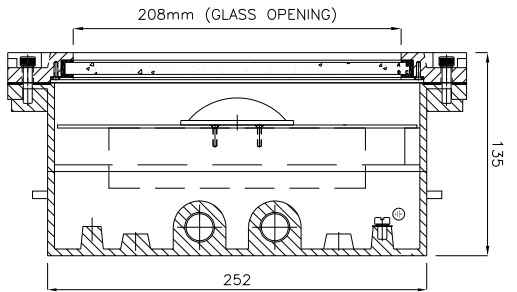
NOTE :
 COMPONENT LAYOUT IS TENTATIVE RELOCATION OF PARTS & COMPONENTS IS POSSIBLE AT THE TIME OF ACTUAL MANUFACTURING.
 OVERALL DIMENSIONS ARE ±10mm

CAT. No.		CRF/1273	SUDHIR SWITCHGEARS PVT. LTD.	
MODEL No.:		CRF/1273/T1/90	130, MULBARI SAMACHAR MARG, MULBARI - 400 023	
TITLE :		FLP-WP ENCLOSURE FOR LIGHT FITTING	SUITABLE FOR 90 WATTS LED LIGHT	
DRW.	DESIGN	CHKD.	CIMFR. CERT. No.	PESO No. :
DRW.	JASHWANTH	DRW.	IN/CIMFR/TR22/P/2462	BIS LICENCE No. :
SHEET	1 OF 1	SCALE	Dt. 31/03/2014	
REV.	DATE	DESCRIPTION	DRW.	CHKD.

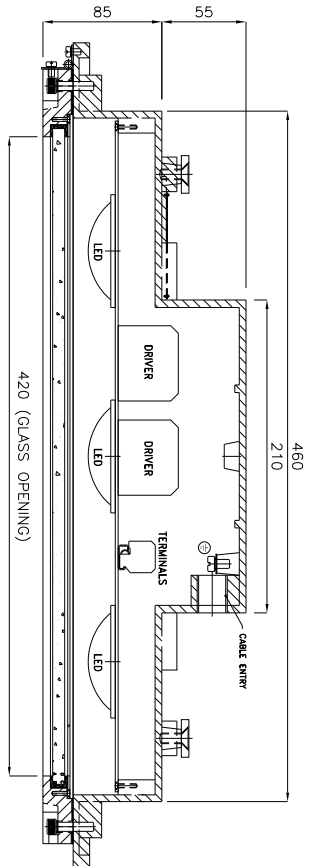
THIS DRAWING IS PROPERTY OF "SUDHIR SWITCHGEARS PVT. LTD." AND MUST BE RETURNED ON REQUEST IF IT IS SUBMITTED AS CONFIDENTIAL INFORMATION IN CONNECTION WITH ENQUIRY, TENDER, ORDER, OR CONTRACTS IT IS NOT TO BE USED FOR ANY OTHER PURPOSE OR ORDER NOR MAY IT RE-COPIED OR LENT WITHOUT OUR AUTHORITY IN WRITING.



LIGHT FITTING - (VIEW FROM TOP SIDE)
TYPE - 2 (BOTTOM OPENING DESIGN)



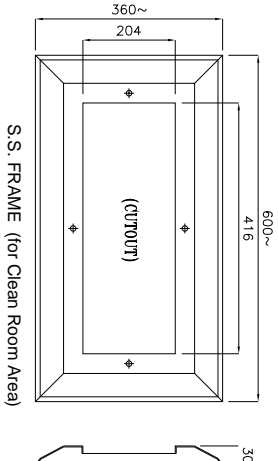
Sectional side view



Sectional side view

Light Fitting OPTIONS:

- 1) MATERIAL CONSTRUCTION : STAINLESS STEEL
- 2) VOLTAGE : 220V DC/110V AC/110V DC/24V AC
- 3) GLASS TYPE : FLAT
- 4) LED MAKE : CITIZEN/OSRAM/BRIDGELUX/EQUIVALENT
- 5) DRIVER MAKE : OSRAM/PHILIPS/FULHAM/EQUIVALENT
- 6) CABLE GLAND & PLUG : BRASS/S.S./ALUMINIUM
- 7) WIRE GUARD : M.S. WHITE EPOXY POWDER COATED / S.S.
- 8) CLEAN ROOM FRAME : S.S. FRAME FOR CLEAN ROOM AREA (REFER DRG.)



S.S. FRAME (for Clean Room Area)

NOTE :

COMPONENT LAYOUT IS TENTATIVE RELOCATION OF PARTS & COMPONENTS IS POSSIBLE AT THE TIME OF ACTUAL MANUFACTURING.

OVERALL DIMENSIONS ARE ±10mm

<p>NOTE :</p> <p>COMPONENT LAYOUT IS TENTATIVE RELOCATION OF PARTS & COMPONENTS IS POSSIBLE AT THE TIME OF ACTUAL MANUFACTURING.</p> <p>OVERALL DIMENSIONS ARE ±10mm</p>		<p>CAT. No.</p> <p>CRF/1273</p>
<p>MODEL No.:</p> <p>CRF/1273/T2/30</p>		<p>DRN.</p> <p>JASNAK</p>
<p>APPRO. SHEET</p> <p>1 OF 1</p>		<p>CHKD.</p> <p>JASNAK</p>
<p>SCALE</p> <p>N. T. S. REV.-0</p>		<p>APPR.</p> <p>SCALE</p>
<p>REV.</p> <p>DATE</p>	<p>DESCRIPTION</p>	<p>DRN.</p> <p>CHKD.</p> <p>APPR.</p> <p>SCALE</p>
<p>SUDHIR SWITCHGEARS PVT. LTD.</p> <p>130, MULBA SAKSHI WARE, MULBA - 400 023</p> <p>TITLE : FLP-WP ENCLOSURE FOR LIGHT FITTING</p> <p>SUITABLE FOR 30 WATTS LED LIGHT</p> <p>QMR. CERT. No. : IN/CIMFR/TR22/P/2462</p> <p>Dt. 31/03/2014</p> <p>DESIGN No. : PSO No. :</p> <p>BIS LICENCE No. :</p>		

Reference IS/IEC Standard as follows :

- 1 - FLAMEPROOF (Ex d) PROTECTION - IIA & IIB. IS/IEC 60079-1 (2014)
- TEMPERATURE CLASS - T6
- 2 - INGRESS (IP) PROTECTION - IP-66, IS/IEC 60529 (2001). (Reaffirmed 2014)

Standard Specification :

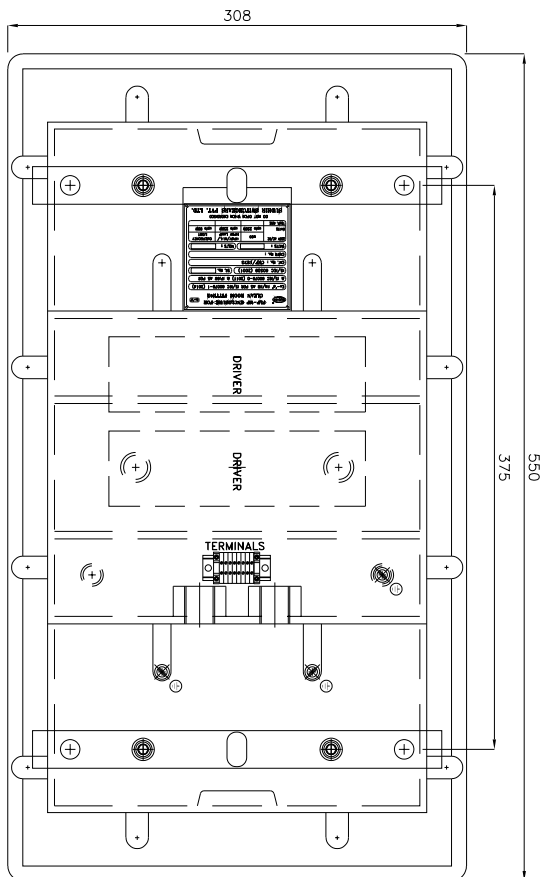
- 1 - MATERIAL - CAST ALUMINIUM ALLOY
- 2 - FINISH - INSIDE & OUTSIDE LIGHT GREY EPOXY POWDER COATING SHADE No. 631 AS PER IS-5
- 3 - EARTHING - 1 No. INSIDE & 2 Nos. OUTSIDE M6 SIZE S.S./BRASS SCREWS WITH 2 Nos. PLAIN WASHER
- 4 - HARDWARE - STAINLESS STEEL
- 5 - GASKET - NEOPRENE RUBBER GASKET
- 6 - MOUNTING ARRGT. - AS SHOWN IN DRG.

Material / Components Specification :

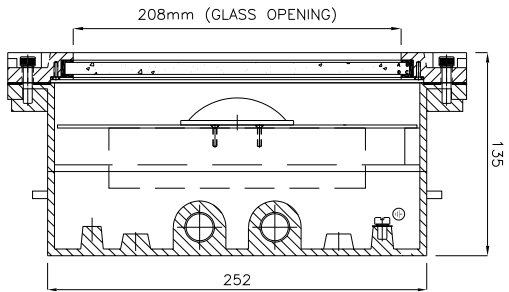
- 1 - S.S. NAME CUM WARNING PLATE (WITH DESCRIPTION TITLE, CIMFR, PESO, SR. NO., GAS GROUP, RATING, BIS MARKING, WARNING STATUS, etc...)
- 2 - GLASS - HEAT RESISTANCE CLEAR TOUCHED GLASS 'TYPE-A' OF 'SUDHIR' BRAND
- 3 - CABLE ENTRIES - 2 Nos. M20 / 1/2" NPT / 3/4" ET SIZE CABLE ENTRIES FROM SIDE (REFER DRAWING)
- 4 - TERMINALS - 6 Nos. 2.5sq. mm (MICRO) CLIP-ON TYPE TERMINALS OF 'ELMEY/CONNECTWELL' MAKE

Light Fitting Standard Specification :

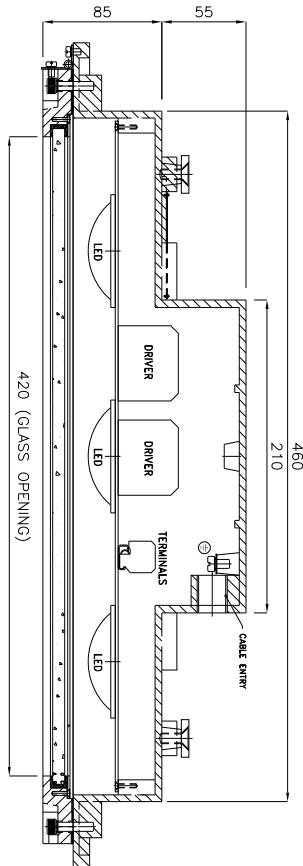
- a) WATTAGE : 30 WATTS
- b) VOLTAGE : 140V-270V AC
- c) POWER FACTOR : ≥0.95
- d) INPUT FREQUENCY : 50 Hz
- e) EFFICACY : ≥100 LUMEN PER WATT
- f) COLOUR (CCT) : 3000K/5700K/6500K/OR AS SPECIFIED
- g) CRI : ≥80 RA
- h) TOTAL HARMONIC DISTORTION : ≤ 10% THD
- i) SURFACE TEMPERATURE : MAX. 70°
- j) SURGE PROTECTION : 10 KV SPD



LIGHT FITTING - (VIEW FROM TOP SIDE)
TYPE - 2 (BOTTOM OPENING DESIGN)



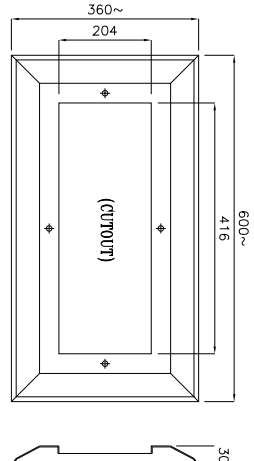
Sectional side view



Sectional side view

Light Fitting OPTIONS:

- 1) MATERIAL CONSTRUCTION : STAINLESS STEEL
- 2) VOLTAGE : 220V DC/110V AC/110V DC/24V AC
- 3) GLASS TYPE : FLAT
- 4) LED MAKE : CITIZEN/OSRAM/BRIDGELUX/EQUIVALENT
- 5) DRIVER MAKE : OSRAM/PHILIPS/FULHAM/EQUIVALENT
- 6) CABLE GLAND & PLUG : BRASS/S.S./ALUMINIUM
- 7) WIRE GUARD : M.S. WHITE EPOXY POWDER COATED / S.S.
- 8) CLEAN ROOM FRAME : S.S. FRAME FOR CLEAN ROOM AREA (REFER DRG.)



S.S. FRAME (for Clean Room Area)

NOTE :

COMPONENT LAYOUT IS TENTATIVE RELOCATION OF PARTS & COMPONENTS IS POSSIBLE AT THE TIME OF ACTUAL MANUFACTURING.

OVERALL DIMENSIONS ARE ±10mm

<p>NOTE :</p> <p>COMPONENT LAYOUT IS TENTATIVE RELOCATION OF PARTS & COMPONENTS IS POSSIBLE AT THE TIME OF ACTUAL MANUFACTURING.</p> <p>OVERALL DIMENSIONS ARE ±10mm</p>		<p>CAT. No.</p> <p>CRF/1273</p>				
<p>SUDHIR SWITCHGEARS PVT. LTD.</p> <p>130, MULBARI SAMACHAR MARG, MULBARI - 400 023</p>		<p>Model No.:</p> <p>CRF/1273/T2/45</p>				
<p>TITLE : FLP-WP ENCLOSURE FOR LIGHT FITTING</p> <p>SUITABLE FOR 45 WATTS LED LIGHT</p>		<p>DRN.</p> <p>JASHWANTH</p>				
<p>QMR. CERT. No.</p> <p>IN/CIMFR/TR22/P/2462</p>		<p>CHKD.</p> <p>APPO.</p>				
<p>Dt. 31/03/2014</p>		<p>SCALE</p> <p>N. T. S. REV.-0</p>				
REV.	DATE	DESCRIPTION	DRN.	CHKD.	APPO.	SCALE

- Reference IS/IEC Standard as follows :**
- 1 - FLAMEPROOF (Ex d) PROTECTION - IIA & IIB. IS/IEC 60079-1 (2014)
 - TEMPERATURE CLASS - T6
 - 2 - INGRESS (IP) PROTECTION - IP-66, IS/IEC 60529 (2001). (Reaffirmed 2014)

Standard Specification :

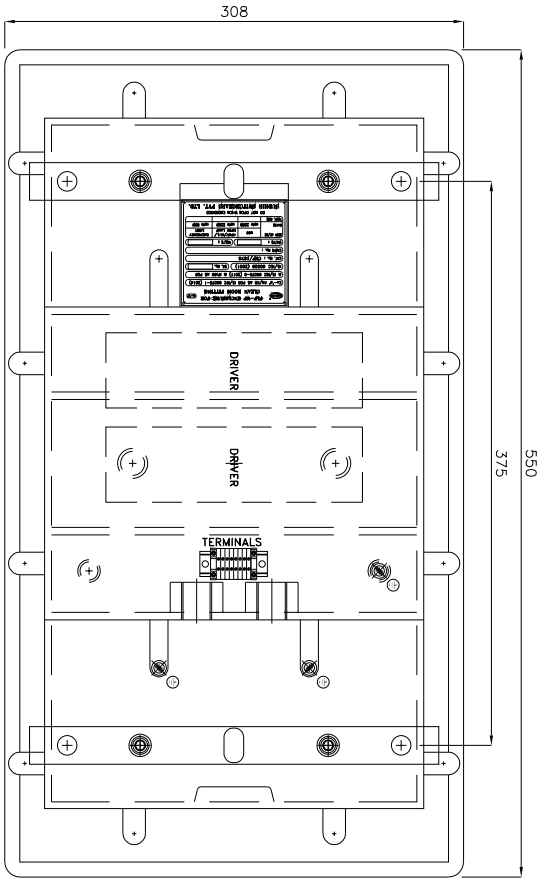
- 1 - MATERIAL - CAST ALUMINIUM ALLOY
- 2 - FINISH - INSIDE & OUTSIDE LIGHT GREY EPOXY POWDER COATING SHADE No. 631 AS PER IS-5
- 3 - EARTHING - 1 No. INSIDE & 2 Nos. OUTSIDE M6 SIZE S.S./BRASS SCREWS WITH 2 Nos. PLAIN WASHER
- 4 - HARDWARE - STAINLESS STEEL
- 5 - GASKET - NEOPRENE RUBBER GASKET
- 6 - MOUNTING ARRGT. - AS SHOWN IN DRG.

Material / Components Specification :

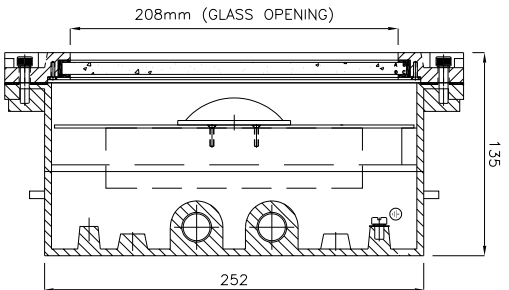
- 1 - S.S. NAME CUM WARNING PLATE (WITH DESCRIPTION TITLE, CIMFR, PESO, SR. NO., GAS GROUP, RATING, BIS MARKING, WARNING STATUS, etc...)
- 2 - GLASS - HEAT RESISTANCE CLEAR TOUCHENED GLASS 'TYPE-A' OF 'SUDHIR' BRAND
- 3 - CABLE ENTRIES - 2 Nos. M20 / 1/2" NPT / 3/4" ET SIZE CABLE ENTRIES FROM SIDE (REFER DRAWING)
- 4 - TERMINALS - 6 Nos. 2.5sq. mm (MICRO) CLIP-ON TYPE TERMINALS OF 'ELMEY/CONNECTWELL' MAKE

Light Fitting Standard Specification :

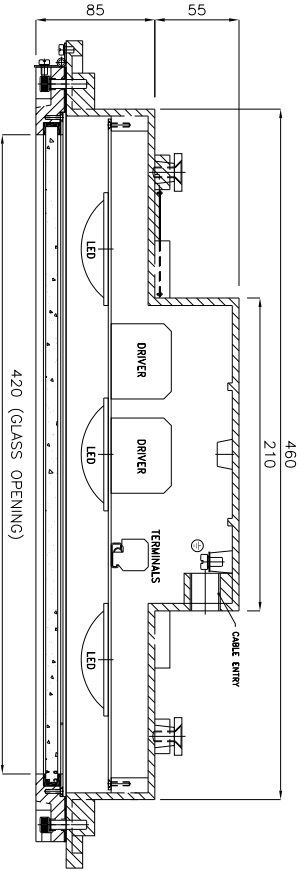
- a) WATTAGE : 45 WATTS
- b) VOLTAGE : 140V-270V AC
- c) POWER FACTOR : ≥0.95
- d) INPUT FREQUENCY : 50 Hz
- e) EFFICACY : ≥100 LUMEN PER WATT
- f) COLOUR (CCT) : 3000K/5700K/6500K/OR AS SPECIFIED
- g) CRI : ≥80 RA
- h) TOTAL HARMONIC DISTORTION : ≤ 10% THD
- i) SURFACE TEMPERATURE : MAX. 70°
- j) SURGE PROTECTION : 10 KV SPD



LIGHT FITTING - (VIEW FROM TOP SIDE)
TYPE - 2 (BOTTOM OPENING DESIGN)



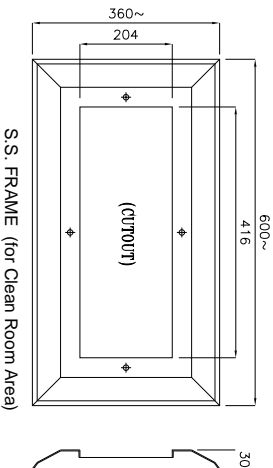
Sectional side view



Sectional side view

Light Fitting OPTIONS:

- 1) MATERIAL CONSTRUCTION : STAINLESS STEEL
- 2) VOLTAGE : 220V DC/110V AC/110V DC/24V AC
- 3) GLASS TYPE : FLAT
- 4) LED MAKE : CITIZEN/OSRAM/BRIDGELUX/EQUIVALENT
- 5) DRIVER MAKE : OSRAM/PHILIPS/FULHAM/EQUIVALENT
- 6) CABLE GLAND & PLUG : BRASS/S.S./ALUMINIUM
- 7) WIRE GUARD : M.S. WHITE EPOXY POWDER COATED / S.S.
- 8) CLEAN ROOM FRAME : S.S. FRAME FOR CLEAN ROOM AREA (REFER DRG.)



S.S. FRAME (for Clean Room Area)

NOTE :

COMPONENT LAYOUT IS TENTATIVE RELOCATION OF PARTS & COMPONENTS IS POSSIBLE AT THE TIME OF ACTUAL MANUFACTURING.

OVERALL DIMENSIONS ARE ±10mm

<p>NOTE :</p> <p>COMPONENT LAYOUT IS TENTATIVE RELOCATION OF PARTS & COMPONENTS IS POSSIBLE AT THE TIME OF ACTUAL MANUFACTURING.</p> <p>OVERALL DIMENSIONS ARE ±10mm</p>		<p>CAT. No.</p> <p>CRF/1273</p>
<p>MODEL No.:</p> <p>CRF/1273/T2/60</p>		<p>DRN.</p> <p>JASNAK</p>
<p>APPRO. SHEET</p> <p>1 OF 1</p>		<p>CHKD.</p> <p>JASNAK</p>
<p>SCALE</p> <p>N. T. S. REV.-0</p>		<p>APPR.</p> <p>SCALE</p>
<p>REV.</p> <p>DATE</p>	<p>DESCRIPTION</p>	<p>DRN.</p> <p>CHKD.</p> <p>APPR.</p> <p>SCALE</p>
<p>SUDHIR SWITCHGEARS PVT. LTD.</p> <p>130, MULBA SAKSHI WARE, MULBA - 400 023</p> <p>TITLE : FLP-WP ENCLOSURE FOR LIGHT FITTING</p> <p>SUITABLE FOR 60 WATTS LED LIGHT</p> <p>QMR. CERT. No. : IN/CIMFR/TR22/P/2462</p> <p>Dt. 31/03/2014</p> <p>DESIGN NO. : PSO No. :</p> <p>BIS LICENCE No. :</p>		

Reference IS/IEC Standard as follows :

- 1 - FLAMEPROOF (Ex d) PROTECTION - IIA & IIB. IS/IEC 60079-1 (2014)
- TEMPERATURE CLASS - T6
- 2 - INGRESS (IP) PROTECTION - IP-66, IS/IEC 60529 (2001). (Reaffirmed 2014)

Standard Specification :

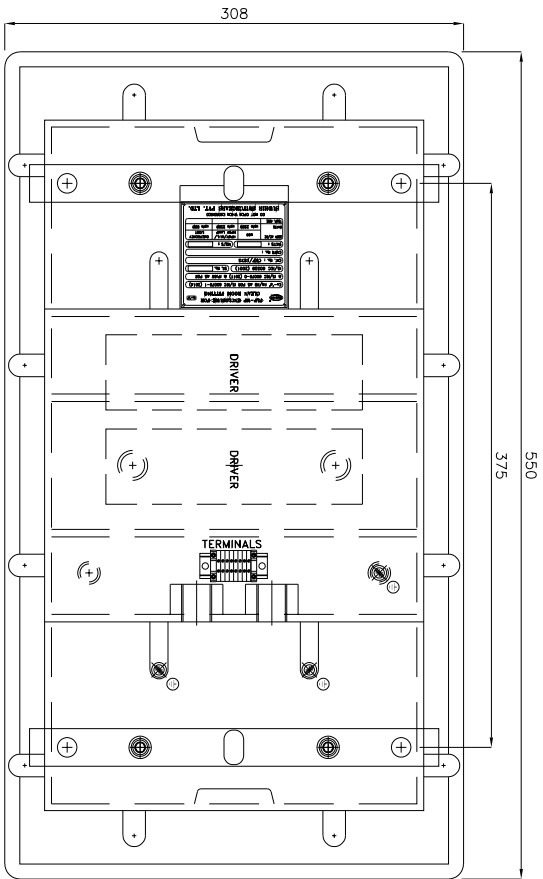
- 1 - MATERIAL - CAST ALUMINIUM ALLOY
- 2 - FINISH - INSIDE & OUTSIDE LIGHT GREY EPOXY POWDER COATING SHADE No. 631 AS PER IS-5
- 3 - EARTHING - 1 No. INSIDE & 2 Nos. OUTSIDE M6 SIZE S.S./BRASS SCREWS WITH 2 Nos. PLAIN WASHER
- 4 - HARDWARE - STAINLESS STEEL
- 5 - GASKET - NEOPRENE RUBBER GASKET
- 6 - MOUNTING ARRGT. - AS SHOWN IN DRG.

Material / Components Specification :

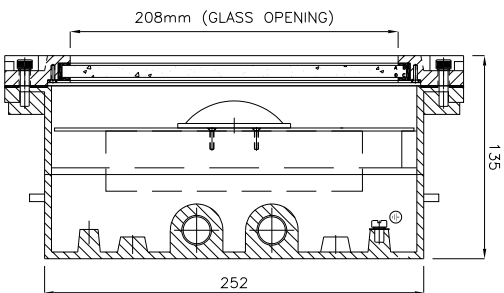
- 1 - S.S. NAME CUM WARNING PLATE (WITH DESCRIPTION TITLE, CIMFR, PESO, SR. NO., GAS GROUP, RATING, BIS MARKING, WARNING STATUS, etc...)
- 2 - GLASS - HEAT RESISTANCE CLEAR TOUCHED GLASS 'TYPE-A' OF 'SUDHIR' BRAND
- 3 - CABLE ENTRIES - 2 Nos. M20 / 1/2" NPT / 3/4" ET SIZE CABLE ENTRIES FROM SIDE (REFER DRAWING)
- 4 - TERMINALS - 6 Nos. 2.5sq. mm (MICRO) CLIP-ON TYPE TERMINALS OF 'ELMEY/CONNECTWELL' MAKE

Light Fitting Standard Specification :

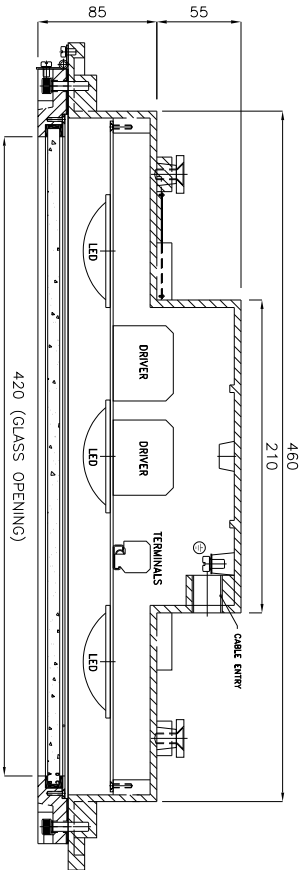
- a) WATTAGE : 60 WATTS
- b) VOLTAGE : 140V-270V AC
- c) POWER FACTOR : ≥0.95
- d) INPUT FREQUENCY : 50 Hz
- e) EFFICACY : ≥100 LUMEN PER WATT
- f) COLOUR (CCT) : 3000K/5700K/6500K/OR AS SPECIFIED
- g) CRI : ≥80 RA
- h) TOTAL HARMONIC DISTORTION : ≤ 10% THD
- i) SURFACE TEMPERATURE : MAX. 70°
- j) SURGE PROTECTION : 10 KV SPD



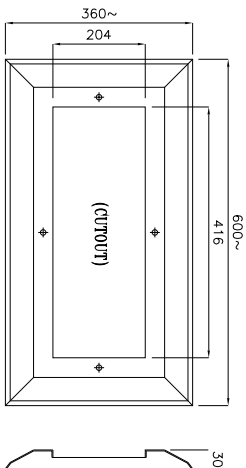
LIGHT FITTING - (VIEW FROM TOP SIDE)
TYPE - 2 (BOTTOM OPENING DESIGN)



Sectional side view



Sectional side view



S.S. FRAME (for Clean Room Area)

Light Fitting OPTIONS :

- 1) MATERIAL CONSTRUCTION : STAINLESS STEEL
- 2) VOLTAGE : 220V DC/110V AC/110V DC/24V AC
- 3) GLASS TYPE : FLAT
- 4) LED MAKE : CITIZEN/OSRAM/BRIDGELUX/EQUIVALENT
- 5) DRIVER MAKE : OSRAM/PHILIPS/FULHAM/EQUIVALENT
- 6) CABLE GLAND & PLUG : BRASS/S.S./ALUMINIUM
- 7) WIRE GUARD : M.S. WHITE EPOXY POWDER COATED / S.S.
- 8) CLEAN ROOM FRAME : S.S. FRAME FOR CLEAN ROOM AREA (REFER DRG.)

- Reference IS/IEC Standard as follows :**
- 1 - FLAMEPROOF (Ex d) PROTECTION - IIA & IIB, IS/IEC 60079-1 (2014)
 - TEMPERATURE CLASS - T6
 - 2 - INGRESS (IP) PROTECTION - IP-66, IS/IEC 60529 (2001). (Reaffirmed 2014)

Standard Specification :

- 1 - MATERIAL - CAST ALUMINIUM ALLOY
- 2 - FINISH - INSIDE & OUTSIDE LIGHT GREY EPOXY POWDER COATING SHADE No. 631 AS PER IS-5
- 3 - EARTHING - 1 No. INSIDE & 2 Nos. OUTSIDE M6 SIZE S.S./BRASS SCREWS WITH 2 Nos. PLAIN WASHER
- 4 - HARDWARE - STAINLESS STEEL
- 5 - GASKET - NEOPRENE RUBBER GASKET
- 6 - MOUNTING ARRGT. - AS SHOWN IN DRG.

Material / Components Specification :

- 1 - S.S. NAME CUM WARNING PLATE (WITH DESCRIPTION TITLE, CIMFR, PESO, SR. NO., GAS GROUP, RATING, BIS MARKING, WARNING STATUS, etc...)
- 2 - GLASS - HEAT RESISTANCE CLEAR TOUCHED GLASS 'TYPE-A' OF 'SUDHIR' BRAND
- 3 - CABLE ENTRIES - 2 Nos. M20 / 1/2" NPT / 3/4" ET SIZE CABLE ENTRIES FROM SIDE (REFER DRAWING)
- 4 - TERMINALS - 6 Nos. 2.5sq. mm (MICRO) CLIP-ON TYPE TERMINALS OF 'ELMEY/CONNECTWELL' MAKE

Light Fitting Standard Specification :

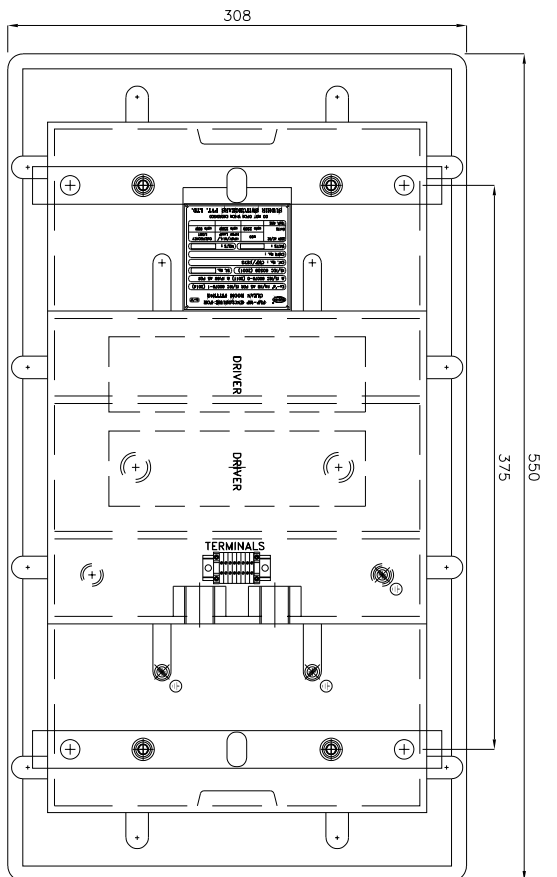
- a) WATTAGE : 75 WATTS
- b) VOLTAGE : 140V-270V AC
- c) POWER FACTOR : >0.95
- d) INPUT FREQUENCY : 50 Hz
- e) EFFICACY : >100 LUMEN PER WATT
- f) COLOUR (CCT) : 3000K/5700K/6500K/OR AS SPECIFIED
- g) CRI : >80 RA
- h) TOTAL HARMONIC DISTORTION : ≤ 10% THD
- i) SURFACE TEMPERATURE : MAX. 70°
- j) SURGE PROTECTION : 10 KV SPD

NOTE :

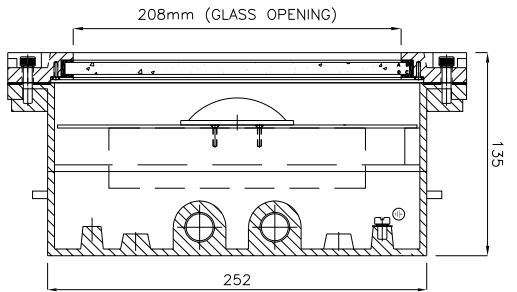
COMPONENT LAYOUT IS TENTATIVE RELOCATION OF PARTS & COMPONENTS IS POSSIBLE AT THE TIME OF ACTUAL MANUFACTURING.

OVERALL DIMENSIONS ARE ±10mm

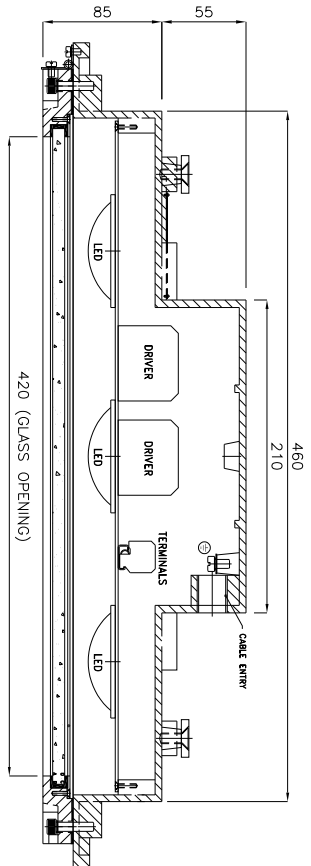
<p>CRF/1273</p> <p>130, MULBERRY SHAMBAHAR MARG, MULBERRY - 400 023</p> <p>SUDHIR SWITCHGEARS PVT. LTD.</p>				<p>CAT. No.</p> <p>CRF/1273</p>
<p>FLP-WP ENCLOSURE FOR LIGHT FITTING</p> <p>SUITABLE FOR 75 WATTS LED LIGHT</p>				<p>MODEL No.:</p> <p>CRF/1273/12/75</p>
<p>DRW. JASRAJ</p>		<p>CHKD. PESO</p>		
<p>APPR. 1 OF 1</p>		<p>APPR. 1 OF 1</p>		
<p>SHEET 1 OF 1</p>		<p>SCALE</p>		
<p>REV. DATE DESCRIPTION DRW. CHNO. APPD.</p>		<p>N. T. S. REV.-0</p>		
<p>Di. 31/03/2014</p>		<p>PESO No. :</p> <p>BIS LICENCE No. :</p>		



LIGHT FITTING - (VIEW FROM TOP SIDE)
TYPE - 2 (BOTTOM OPENING DESIGN)



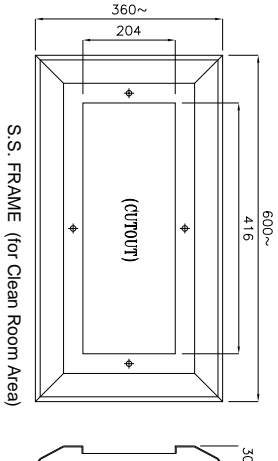
Sectional side view



Sectional side view

Light Fitting OPTIONS:

- 1) MATERIAL CONSTRUCTION : STAINLESS STEEL
- 2) VOLTAGE : 220V DC/110V AC/110V DC/24V AC
- 3) GLASS TYPE : FLAT
- 4) LED MAKE : CITIZEN/OSRAM/BRIDGELUX/EQUIVALENT
- 5) DRIVER MAKE : OSRAM/PHILIPS/FULHAM/EQUIVALENT
- 6) CABLE GLAND & PLUG : BRASS/S.S./ALUMINIUM
- 7) WIRE GUARD : M.S. WHITE EPOXY POWDER COATED / S.S.
- 8) CLEAN ROOM FRAME : S.S. FRAME FOR CLEAN ROOM AREA (REFER DRG.)



S.S. FRAME (for Clean Room Area)

NOTE :

COMPONENT LAYOUT IS TENTATIVE RELOCATION OF PARTS & COMPONENTS IS POSSIBLE AT THE TIME OF ACTUAL MANUFACTURING.

OVERALL DIMENSIONS ARE ±10mm

<p>NOTE :</p> <p>COMPONENT LAYOUT IS TENTATIVE RELOCATION OF PARTS & COMPONENTS IS POSSIBLE AT THE TIME OF ACTUAL MANUFACTURING.</p> <p>OVERALL DIMENSIONS ARE ±10mm</p>		<p>CAT. No.</p> <p>CRF/1273</p>
<p>MODEL No.:</p> <p>CRF/1273/T2/90</p>		<p>DRN.</p> <p>JASNAK</p>
<p>APPRO. SHEET</p> <p>1 OF 1</p>		<p>CHKD.</p> <p>JASNAK</p>
<p>SCALE</p> <p>N. T. S. REV.-0</p>		<p>APPR.</p> <p>SCALE</p>
<p>REV.</p> <p>DATE</p>	<p>DESCRIPTION</p>	<p>DRN.</p> <p>CHKD.</p> <p>APPR.</p> <p>SCALE</p>

- Reference IS/IEC Standard as follows :**
- 1 - FLAMEPROOF (Ex d) PROTECTION - IIA & IIB. IS/IEC 60079-1 (2014)
 - TEMPERATURE CLASS - T6
 - 2 - INGRESS (IP) PROTECTION - IP-66, IS/IEC 60529 (2001). (Reaffirmed 2014)

Standard Specification :

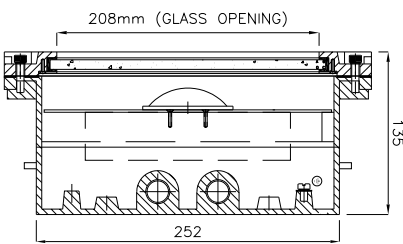
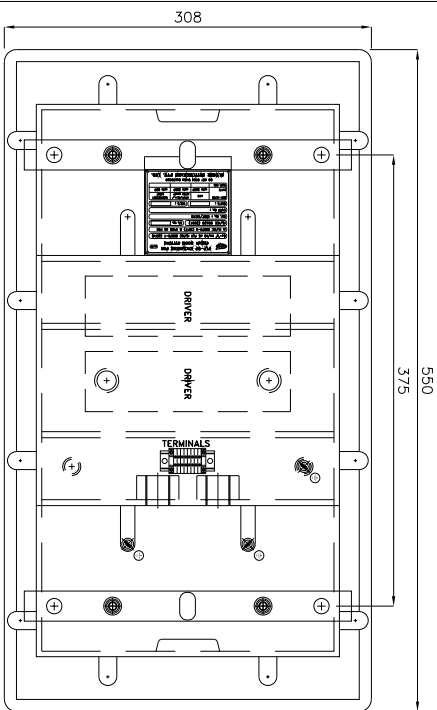
- 1 - MATERIAL - CAST ALUMINIUM ALLOY
- 2 - FINISH - INSIDE & OUTSIDE LIGHT GREY EPOXY POWDER COATING SHADE No. 631 AS PER IS-5
- 3 - EARTHING - 1 No. INSIDE & 2 Nos. OUTSIDE M6 SIZE S.S./BRASS SCREWS WITH 2 Nos. PLAIN WASHER
- 4 - HARDWARE - STAINLESS STEEL
- 5 - GASKET - NEOPRENE RUBBER GASKET
- 6 - MOUNTING ARRGT. - AS SHOWN IN DRG.

Material / Components Specification :

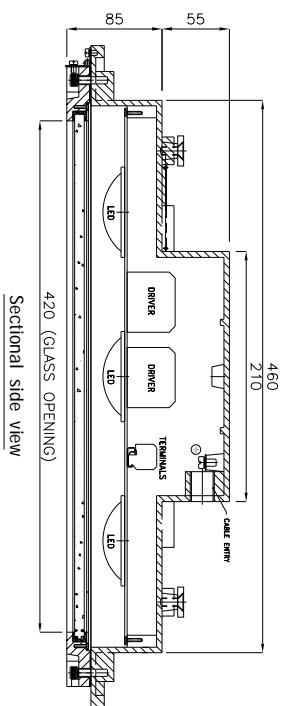
- 1 - S.S. NAME CUM WARNING PLATE (WITH DESCRIPTION TITLE, CIMFR, PESO, SR. NO., GAS GROUP, RATING, BIS MARKING, WARNING STATUS, etc...)
- 2 - GLASS - HEAT RESISTANCE CLEAR TOUCHED GLASS 'TYPE-A' OF 'SUDHIR' BRAND
- 3 - CABLE ENTRIES - 2 Nos. M20 / 1/2" NPT / 3/4" ET SIZE CABLE ENTRIES FROM SIDE (REFER DRAWING)
- 4 - TERMINALS - 6 Nos. 2.5sq. mm (MICRO) CLIP-ON TYPE TERMINALS OF 'ELMEY/CONNECTWELL' MAKE

Light Fitting Standard Specification :

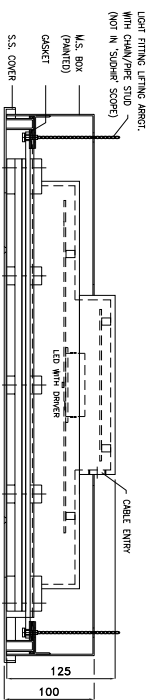
- a) WATTAGE : 90 WATTS
- b) VOLTAGE : 140V-270V AC
- c) POWER FACTOR : ≥0.95
- d) INPUT FREQUENCY : 50 Hz
- e) EFFICACY : ≥100 LUMEN PER WATT
- f) COLOUR (CCT) : 3000K/5700K/6500K/OR AS SPECIFIED
- g) CRI : ≥80 RA
- h) TOTAL HARMONIC DISTORTION : ≤ 10% THD
- i) SURFACE TEMPERATURE : MAX. 70°
- j) SURGE PROTECTION : 10 KV SPD



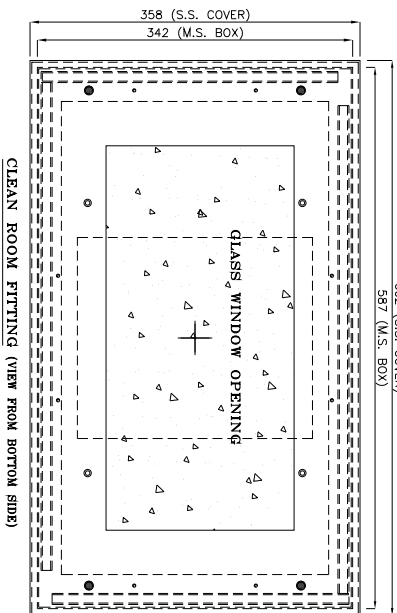
LIGHT FITTING - (VIEW FROM TOP SIDE)
TYPE - 2 (BOTTOM OPENING DESIGN)



420 (GLASS OPENING)
Sectional side view



CLEAN ROOM FITTING



CLEAN ROOM FITTING (VIEW FROM BOTTOM SIDE)

THIS DRAWING IS PROPERTY OF "SUDBHIR SWITCHGEARS PVT. LTD." AND MUST BE RETURNED ON REQUEST IT IS SUBMITTED AS CONFIDENTIAL INFORMATION IN CONNECTION WITH ENQUIRY, TENDER, ORDER, OR CONTRACTS IT IS NOT TO BE USED FOR ANY OTHER PURPOSE OR ORDER NOR MAY IT RE-COPIED OR LENT WITHOUT OUR AUTHORITY IN WRITING.

Light Fitting OPTIONS :

- 1) MATERIAL CONSTRUCTION : STAINLESS STEEL
- 2) VOLTAGE : 220V DC/110V AC/110V DC/24V AC
- 3) GLASS TYPE : FLAT
- 4) LED MAKE : CITIZEN/OSRAM/BRIDGELUX/EQUIVALENT
- 5) DRIVER MAKE : OSRAM/PHILIPS/FULHAM/EQUIVALENT
- 6) CABLE GLAND & PLUG : BRASS/S.S./ALUMINIUM
- 7) CLEAN ROOM AREA : M.S. BOX WITH S.S. COVER

Reference IS/IEC Standard as follows :

- 1 - FLAMEPROOF (Ex d) PROTECTION - IIA & IIB, IS/IEC 60079-1 (2014)
- TEMPERATURE CLASS - T6
- 2 - INGRESS (IP) PROTECTION - IP-66, IS/IEC 60529 (2001). (Reaffirmed 2014)

Standard Specification :

- 1 - MATERIAL - CAST ALUMINIUM ALLOY
- 2 - FINISH - INSIDE & OUTSIDE LIGHT GREY EPOXY POWDER COATING SHADE No. 631 AS PER IS-5
- 3 - EARTHING - 1 No. INSIDE & 2 Nos. OUTSIDE M6 SIZE S.S./BRASS SCREWS WITH 2 Nos. PLAIN WASHER
- 4 - HARDWARE - STAINLESS STEEL
- 5 - GASKET - NEOPRENE RUBBER GASKET
- 6 - MOUNTING ARRGT. - AS SHOWN IN DRG.

Material / Components Specification :

- 1 - S.S. NAME CUM WARNING PLATE (WITH DESCRIPTION TITLE, CIMFR, PESO, SR. NO., GAS GROUP, RATING, BIS MARKING, WARNING STATUS, etc...)
- 2 - GLASS - HEAT RESISTANCE CLEAR TOUGHENED GLASS 'TYPE-A' OF 'SUDBHIR' BRAND
- 3 - CABLE ENTRIES - 2 Nos. M20 / 1/2" NPT / 3/4" ET SIZE CABLE ENTRIES FROM SIDE (REFER DRAWING)
- 4 - TERMINALS - 6 Nos. 2.5sq. mm (MICRO) CLIP-ON TYPE TERMINALS OF 'ELMEY/CONNECTWELL' MAKE

Light Fitting Standard Specification :

- a) WATTAGE : 90 WATTS
- b) VOLTAGE : 140V-270V AC
- c) POWER FACTOR : >0.95
- d) INPUT FREQUENCY : 50 Hz
- e) EFFICACY : >100 LUMEN PER WATT
- f) COLOUR (CCT) : 3000K/5700K/6500K/OR AS SPECIFIED
- g) CRI : >80 RA
- h) TOTAL HARMONIC DISTORTION : < 10% THD
- i) SURFACE TEMPERATURE : MAX. 70°
- j) SURGE PROTECTION : 10 KV SPD

NOTE :

COMPONENT LAYOUT IS TENTATIVE RELOCATION OF PARTS & COMPONENTS IS POSSIBLE AT THE TIME OF ACTUAL MANUFACTURING.

OVERALL DIMENSIONS ARE ±10mm

REV.	DATE	DESCRIPTION	DRN.	CHKD.	APPD.	SCALE	CAT. No.	MODEL No.:	DRN.	CHKD.	APPD.	SHEET	OF	REV.-0	DRG. No.	PESO No.:	BIS LICENCE No.:
Δ							CRF/1273	CRF/1273/12/90				1	01		IN/CIMFR/TR22/P/2462		
Δ																	
Δ																	

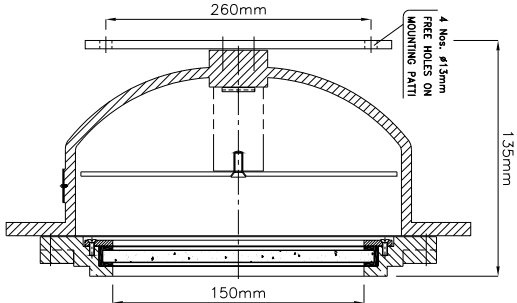
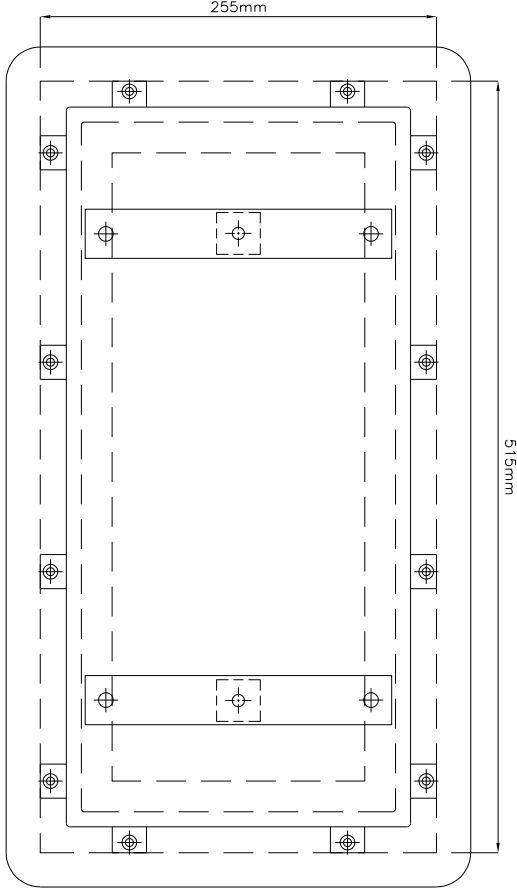
SUDHIR SWITCHGEARS PVT. LTD.

130, MULBARI SAMAJHARA MARG, MULBARI - 400 023

TITLE : FLIP-WP ENCLOSURE FOR LED LIGHT FITTING FOR CLEAN ROOM AREA WITH M.S. BOX & S.S. COVER

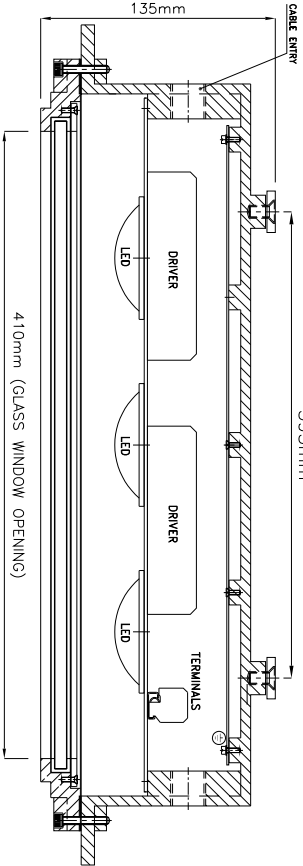
DRG. No. : IN/CIMFR/TR22/P/2462

Dt. 31/03/2014

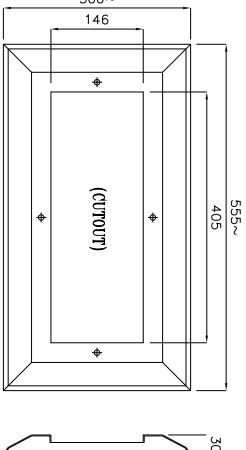


LIGHT FITTING - (VIEW FROM TOP SIDE)
TYPE - 3 (BOTTOM OPENING DESIGN)

Sectional side view



Sectional side view



S.S. FRAME (for Clean Room Area)

Light Fitting OPTIONS:

- 1) MATERIAL CONSTRUCTION : STAINLESS STEEL
- 2) VOLTAGE : 220V DC/110V AC/110V DC/24V AC
- 3) GLASS TYPE : FLAT
- 4) LED MAKE : CITIZEN/OSRAM/BRIDGELUX/EQUIVALENT
- 5) DRIVER MAKE : OSRAM/PHILIPS/FULHAM/EQUIVALENT
- 6) CABLE GLAND & PLUG : BRASS/S.S./ALUMINIUM
- 7) WIRE GUARD : M.S. WHITE EPOXY POWDER COATED / S.S.
- 8) CLEAN ROOM FRAME : S.S. FRAME FOR CLEAN ROOM AREA (REFER DRG.)

Reference IS/IEC Standard as follows :

- 1 - FLAMEPROOF (Ex d) PROTECTION - IIA & IIB, IS/IEC 60079-1 (2014)
- TEMPERATURE CLASS - T6
- 2 - INGRESS (IP) PROTECTION - IP-66, IS/IEC 60529 (2001). (Reaffirmed 2014)

Standard Specification :

- 1 - MATERIAL - CAST ALUMINIUM ALLOY
- 2 - FINISH - INSIDE & OUTSIDE LIGHT GREY EPOXY POWDER COATING SHADE No. 631 AS PER IS-5
- 3 - EARTHING - 1 No. INSIDE & 2 Nos. OUTSIDE M6 SIZE S.S./BRASS SCREWS WITH 2 Nos. PLAIN WASHER
- 4 - HARDWARE - STAINLESS STEEL
- 5 - GASKET - NEOPRENE RUBBER GASKET
- 6 - MOUNTING ARRGT. - AS SHOWN IN DRG.

Material / Components Specification :

- 1 - S.S. NAME CUM WARNING PLATE (WITH DESCRIPTION TITLE, CIMFR, PESO, SR. NO., GAS GROUP, RATING, BIS MARKING, WARNING STATUS, etc...)
- 2 - GLASS - HEAT RESISTANCE CLEAR TOUCHED GLASS 'TYPE-A' OF 'SUDHIR' BRAND
- 3 - CABLE ENTRIES - 2 Nos. M20 / 1/2" NPT / 3/4" ET SIZE CABLE ENTRIES FROM SIDE (REFER DRAWING)
- 4 - TERMINALS - 6 Nos. 2.5sq. mm (MICRO) CLIP-ON TYPE TERMINALS OF 'ELMEY/CONNECTWELL' MAKE

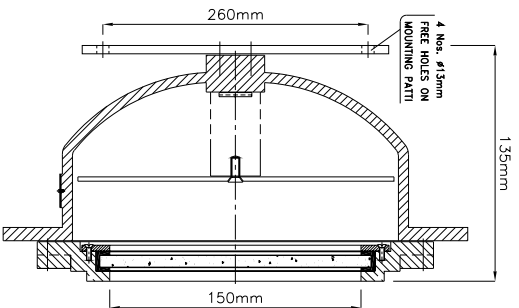
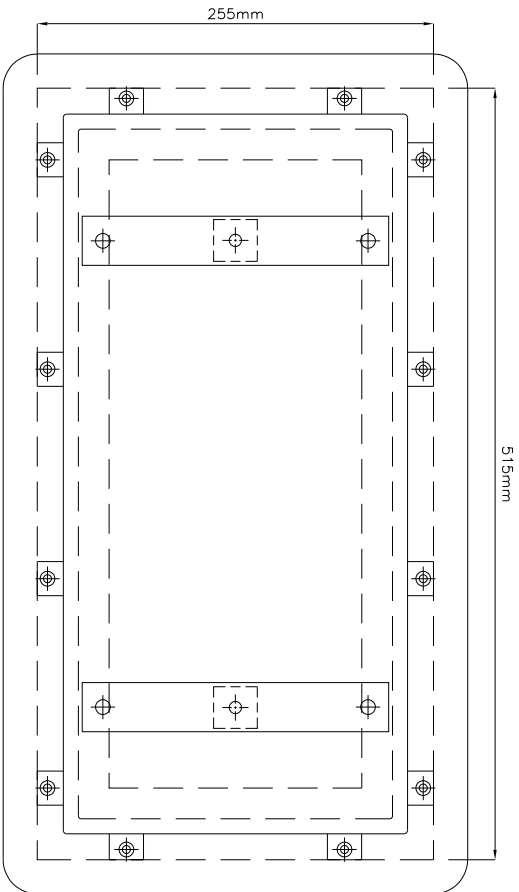
Light Fitting Standard Specification :

- a) WATTAGE : 30 WATTS
- b) VOLTAGE : 140V-270V AC
- c) POWER FACTOR : >0.95
- d) INPUT FREQUENCY : 50 Hz
- e) EFFICACY : >100 LUMEN PER WATT
- f) COLOUR (CCT) : 3000K/5700K/6500K/OR AS SPECIFIED
- g) CRI : >80 RA
- h) TOTAL HARMONIC DISTORTION : ≤ 10% THD
- i) SURFACE TEMPERATURE : MAX. 70°
- j) SURGE PROTECTION : 10 KV SPD

NOTE :

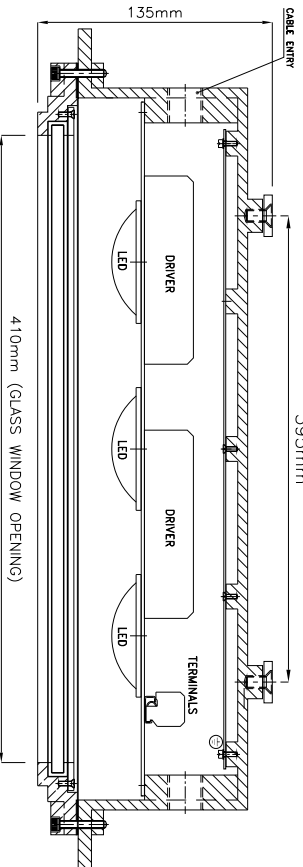
COMPONENT LAYOUT IS TENTATIVE RELOCATION OF PARTS & COMPONENTS IS POSSIBLE AT THE TIME OF ACTUAL MANUFACTURING.
OVERALL DIMENSIONS ARE ±10mm

<p>SUDHIR SWITCHGEARS PVT. LTD. 130, MULBARI SAMACHAR MARG, MULBARI - 400 023</p>		<p>CAT. No. : CRF/1273</p>
<p>FLP-WP ENCLOSURE FOR LIGHT FITTING SUITABLE FOR 30 WATTS LED LIGHT</p>		<p>MODEL No. : CRF/1273/T3/30</p>
<p>DRW. : JASHWANT</p>	<p>CHKD. : [Signature]</p>	<p>DATE : 31/03/2014</p>
<p>SHEET : 1 OF 1</p>	<p>SCALE : [Blank]</p>	<p>REV. : 0</p>
<p>DRW. : [Blank]</p>	<p>CHKD. : [Blank]</p>	<p>DATE : [Blank]</p>
<p>DESCRIPTION : [Blank]</p>	<p>DRW. : [Blank]</p>	<p>DATE : [Blank]</p>
<p>REV. : [Blank]</p>	<p>DATE : [Blank]</p>	<p>DATE : [Blank]</p>

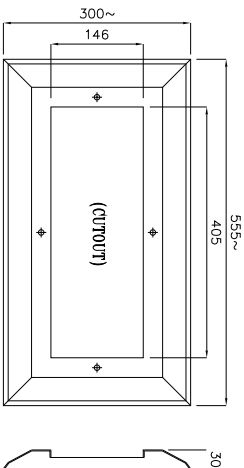


LIGHT FITTING - (VIEW FROM TOP SIDE)
TYPE - 3 (BOTTOM OPENING DESIGN)

Sectional side view



Sectional side view



S.S. FRAME (for Clean Room Area)

Light Fitting OPTIONS:

- 1) MATERIAL CONSTRUCTION : STAINLESS STEEL
- 2) VOLTAGE : 220V DC/110V AC/110V DC/24V AC
- 3) GLASS TYPE : FLAT
- 4) LED MAKE : CITIZEN/OSRAM/BRIDGELUX/EQUIVALENT
- 5) DRIVER MAKE : OSRAM/PHILIPS/FULHAM/EQUIVALENT
- 6) CABLE GLAND & PLUG : BRASS/S.S./ALUMINIUM
- 7) WIRE GUARD : M.S. WHITE EPOXY POWDER COATED / S.S.
- 8) CLEAN ROOM FRAME : S.S. FRAME FOR CLEAN ROOM AREA (REFER DRG.)

Reference IS/IEC Standard as follows :

- 1 - FLAMEPROOF (Ex d) PROTECTION - IIA & IIB, IS/IEC 60079-1 (2014)
- TEMPERATURE CLASS - T6
- 2 - INGRESS (IP) PROTECTION - IP-66, IS/IEC 60529 (2001). (Reaffirmed 2014)

Standard Specification :

- 1 - MATERIAL - CAST ALUMINIUM ALLOY
- 2 - FINISH - INSIDE & OUTSIDE LIGHT GREY EPOXY POWDER COATING SHADE No. 631 AS PER IS-5
- 3 - EARTHING - 1 No. INSIDE & 2 Nos. OUTSIDE M6 SIZE S.S./BRASS SCREWS WITH 2 Nos. PLAIN WASHER
- 4 - HARDWARE - STAINLESS STEEL
- 5 - GASKET - NEOPRENE RUBBER GASKET
- 6 - MOUNTING ARRGT. - AS SHOWN IN DRG.

Material / Components Specification :

- 1 - S.S. NAME CUM WARNING PLATE (WITH DESCRIPTION TITLE, CIMFR, PESO, SR. NO., GAS GROUP, RATING, BIS MARKING, WARNING STATUS, etc...)
- 2 - GLASS - HEAT RESISTANCE CLEAR TOUCHED GLASS 'TYPE-A' OF 'SUDHIR' BRAND
- 3 - CABLE ENTRIES - 2 Nos. M20 / 1/2" NPT / 3/4" ET SIZE CABLE ENTRIES FROM SIDE (REFER DRAWING)
- 4 - TERMINALS - 6 Nos. 2.5sq. mm (MICRO) CLIP-ON TYPE TERMINALS OF 'ELMEY/CONNECTWELL' MAKE

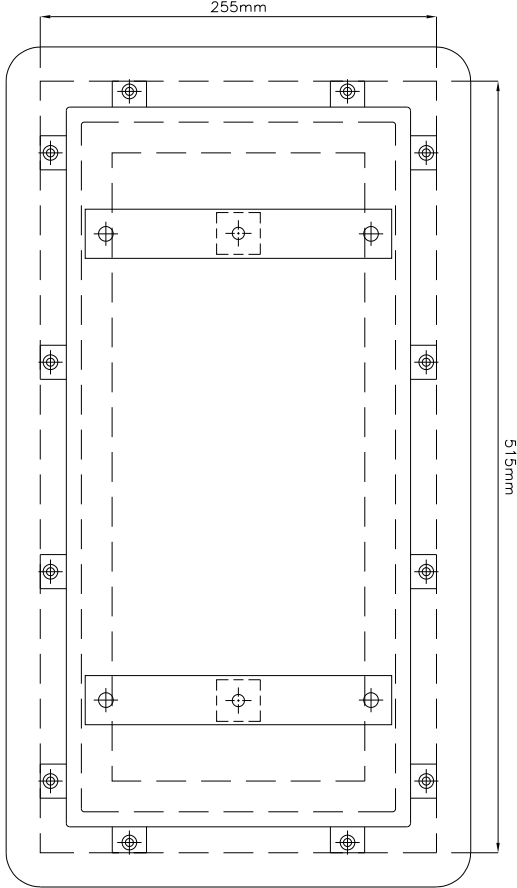
Light Fitting Standard Specification :

- a) WATTAGE : 45 WATTS
- b) VOLTAGE : 140V-270V AC
- c) POWER FACTOR : >0.95
- d) INPUT FREQUENCY : 50 Hz
- e) EFFICACY : >100 LUMEN PER WATT
- f) COLOUR (CCT) : 3000K/5700K/6500K/OR AS SPECIFIED
- g) CRI : >80 RA
- h) TOTAL HARMONIC DISTORTION : ≤ 10% THD
- i) SURFACE TEMPERATURE : MAX. 70°
- j) SURGE PROTECTION : 10 KV SPD

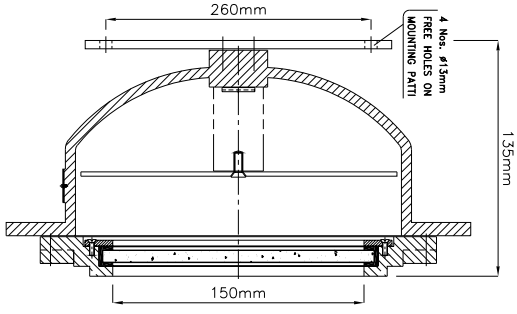
NOTE :

- COMPONENT LAYOUT IS TENTATIVE RELOCATION OF PARTS & COMPONENTS IS POSSIBLE AT THE TIME OF ACTUAL MANUFACTURING.
- OVERALL DIMENSIONS ARE ±10mm

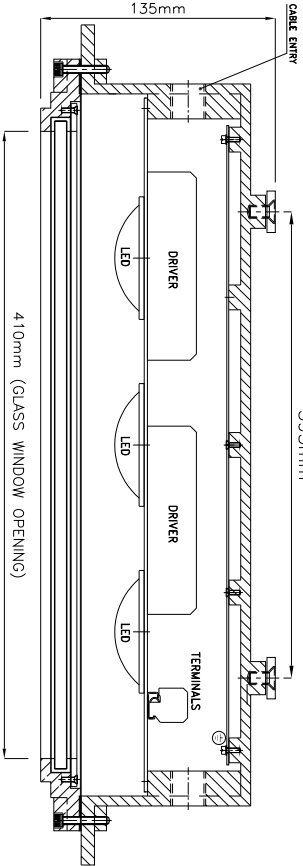
<p>CRF/1273</p> <p>MODEL No. : CRF/1273/T3/45</p> <p>DRW. : JASNAK</p> <p>SHEET : 1 OF 1</p> <p>SCALE : N. T. S. REV.-0</p>		<p>CAT. No. : CRF/1273</p> <p>130, MULBARI SAMACHAR MARG, MULBARI - 400 023</p> <p>SUDHIR SWITCHGEARS PVT. LTD.</p> <p>130, MULBARI SAMACHAR MARG, MULBARI - 400 023</p> <p>IN/CIMFR/TR22/P/2462</p> <p>Dt. 31/03/2014</p>
<p>REV.</p> <p>DATE</p> <p>DESCRIPTION</p> <p>DRW.</p> <p>CHD.</p> <p>APPD.</p> <p>SCALE</p>	<p>DRW.</p> <p>CHD.</p> <p>APPD.</p> <p>SHEET</p> <p>N. T. S.</p> <p>REV.-0</p>	<p>PESO No. :</p> <p>BIS LICENCE No. :</p>



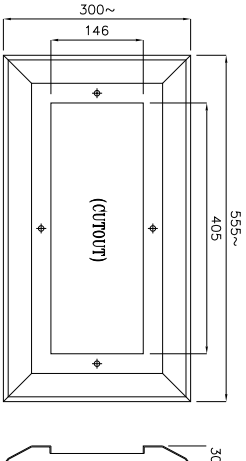
LIGHT FITTING - (VIEW FROM TOP SIDE)
TYPE - 3 (BOTTOM OPENING DESIGN)



Sectional side view



Sectional side view



S.S. FRAME (for Clean Room Area)

Light Fitting OPTIONS:

- 1) MATERIAL CONSTRUCTION : STAINLESS STEEL
- 2) VOLTAGE : 220V DC/110V AC/110V DC/24V AC
- 3) GLASS TYPE : FLAT
- 4) LED MAKE : CITIZEN/OSRAM/BRIDGELUX/EQUIVALENT
- 5) DRIVER MAKE : OSRAM/PHILIPS/FULHAM/EQUIVALENT
- 6) CABLE GLAND & PLUG : BRASS/S.S./ALUMINIUM
- 7) WIRE GUARD : M.S. WHITE EPOXY POWDER COATED / S.S.
- 8) CLEAN ROOM FRAME : S.S. FRAME FOR CLEAN ROOM AREA (REFER DRG.)

NOTE :

COMPONENT LAYOUT IS TENTATIVE RELOCATION OF PARTS & COMPONENTS IS POSSIBLE AT THE TIME OF ACTUAL MANUFACTURING.

OVERALL DIMENSIONS ARE ±10mm

<p>NOTE :</p> <p>COMPONENT LAYOUT IS TENTATIVE RELOCATION OF PARTS & COMPONENTS IS POSSIBLE AT THE TIME OF ACTUAL MANUFACTURING.</p> <p>OVERALL DIMENSIONS ARE ±10mm</p>		<p>CAT. No.</p> <p>CRF/1273</p>				
<p>MODEL No.:</p> <p>CRF/1273/T3/60</p>		<p>DRN.</p> <p>JASNAK</p>				
<p>APPL.</p> <p>1 OF 1</p>		<p>CHKD.</p> <p>JASNAK</p>				
<p>SHEET</p> <p>1 OF 1</p>		<p>APPR.</p> <p></p>				
<p>SCALE</p> <p>N. T. S. REV.-0</p>		<p>DRN.</p> <p>CHKD.</p> <p>APPR.</p> <p>SCALE</p>				
<p>DESCRIPTION</p> <p>FLIP-WP ENCLOSURE FOR LIGHT FITTING SUITABLE FOR 60 WATTS LED LIGHT</p>		<p>DRN.</p> <p>CHKD.</p> <p>APPR.</p> <p>SCALE</p>				
REV.	DATE	DESCRIPTION	DRN.	CHKD.	APPR.	SCALE

Reference IS/IEC Standard as follows :

- 1 - FLAMEPROOF (Ex d) PROTECTION - IIA & IIB, IS/IEC 60079-1 (2014)
- TEMPERATURE CLASS - T6
- 2 - INGRESS (IP) PROTECTION - IP-66, IS/IEC 60529 (2001). (Reaffirmed 2014)

Standard Specification :

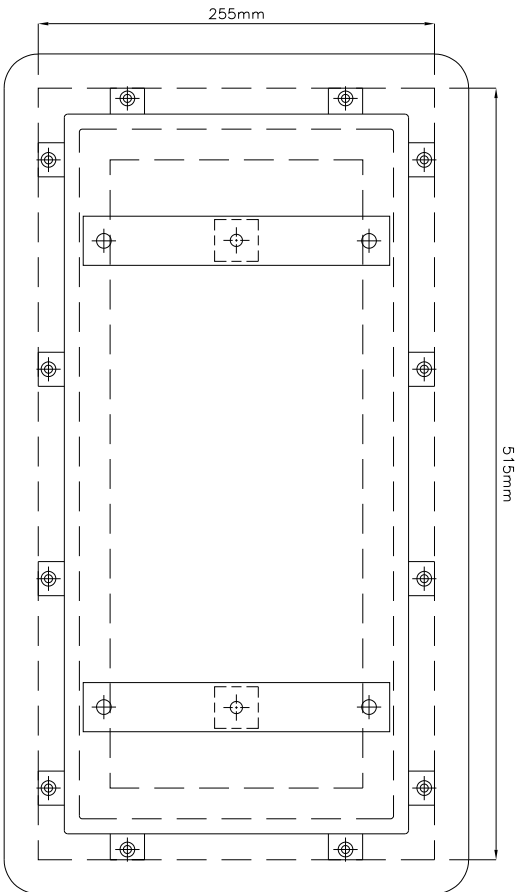
- 1 - MATERIAL - CAST ALUMINIUM ALLOY
- 2 - FINISH - INSIDE & OUTSIDE LIGHT GREY EPOXY POWDER COATING SHADE No. 631 AS PER IS-5
- 3 - EARTHING - 1 No. INSIDE & 2 Nos. OUTSIDE M6 SIZE S.S./BRASS SCREWS WITH 2 Nos. PLAIN WASHER
- 4 - HARDWARE - STAINLESS STEEL
- 5 - GASKET - NEOPRENE RUBBER GASKET
- 6 - MOUNTING ARRGT. - AS SHOWN IN DRG.

Material / Components Specification :

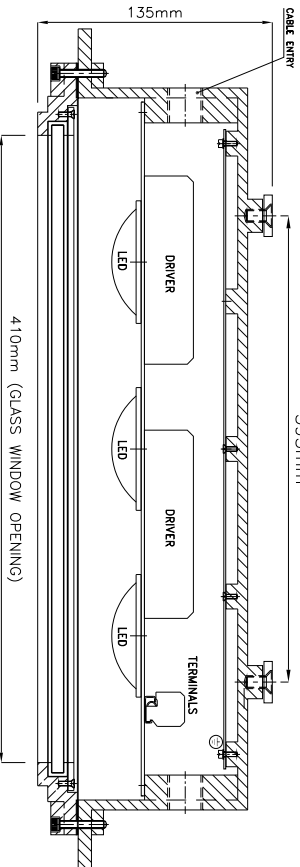
- 1 - S.S. NAME CUM WARNING PLATE (WITH DESCRIPTION TITLE, CIMFR, PESO, SR. NO., GAS GROUP, RATING, BIS MARKING, WARNING STATUS, etc...)
- 2 - GLASS - HEAT RESISTANCE CLEAR TOUCHED GLASS 'TYPE-A' OF 'SUDHIR' BRAND
- 3 - CABLE ENTRIES - 2 Nos. M20 / 1/2" NPT / 3/4" ET SIZE CABLE ENTRIES FROM SIDE (REFER DRAWING)
- 4 - TERMINALS - 6 Nos. 2.5sq. mm (MICRO) CLIP-ON TYPE TERMINALS OF 'ELMEY/CONNECTWELL' MAKE

Light Fitting Standard Specification :

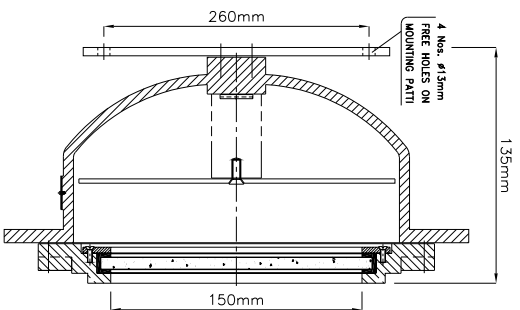
- a) WATTAGE : 60 WATTS
- b) VOLTAGE : 140V-270V AC
- c) POWER FACTOR : ≥0.95
- d) INPUT FREQUENCY : 50 Hz
- e) EFFICACY : ≥100 LUMEN PER WATT
- f) COLOUR (CCT) : 3000K/5700K/6500K/OR AS SPECIFIED
- g) CRI : ≥80 RA
- h) TOTAL HARMONIC DISTORTION : ≤ 10% THD
- i) SURFACE TEMPERATURE : MAX. 70°
- j) SURGE PROTECTION : 10 KV SPD



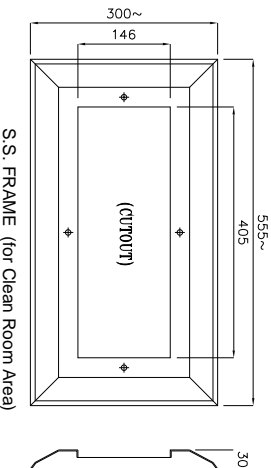
LIGHT FITTING - (VIEW FROM TOP SIDE)
TYPE - 3 (BOTTOM OPENING DESIGN)



Sectional side view



Sectional side view



S.S. FRAME (for Clean Room Area)

Light Fitting OPTIONS :

- 1) MATERIAL CONSTRUCTION : STAINLESS STEEL
- 2) VOLTAGE : 220V DC/110V AC/110V DC/24V AC
- 3) GLASS TYPE : FLAT
- 4) LED MAKE : CITIZEN/OSRAM/BRIDGELUX/EQUIVALENT
- 5) DRIVER MAKE : OSRAM/PHILIPS/FULHAM/EQUIVALENT
- 6) CABLE GLAND & PLUG : BRASS/S.S./ALUMINIUM
- 7) WIRE GUARD : M.S. WHITE EPOXY POWDER COATED / S.S.
- 8) CLEAN ROOM FRAME : S.S. FRAME FOR CLEAN ROOM AREA (REFER DRG.)

Reference IS/IEC Standard as follows :

- 1 - FLAMEPROOF (Ex d) PROTECTION - IIA & IIB, IS/IEC 60079-1 (2014)
- TEMPERATURE CLASS - T6
- 2 - INGRESS (IP) PROTECTION - IP-66, IS/IEC 60529 (2001). (Reaffirmed 2014)

Standard Specification :

- 1 - MATERIAL - CAST ALUMINIUM ALLOY
- 2 - FINISH - INSIDE & OUTSIDE LIGHT GREY EPOXY POWDER COATING SHADE No. 631 AS PER IS-5
- 3 - EARTHING - 1 No. INSIDE & 2 Nos. OUTSIDE M6 SIZE S.S./BRASS SCREWS WITH 2 Nos. PLAIN WASHER
- 4 - HARDWARE - STAINLESS STEEL
- 5 - GASKET - NEOPRENE RUBBER GASKET
- 6 - MOUNTING ARRGT. - AS SHOWN IN DRG.

Material / Components Specification :

- 1 - S.S. NAME CUM WARNING PLATE (WITH DESCRIPTION TITLE, CIMFR, PESO, SR. NO., GAS GROUP, RATING, BIS MARKING, WARNING STATUS, etc...)
- 2 - GLASS - HEAT RESISTANCE CLEAR TOUCHED GLASS 'TYPE-A' OF 'SUDHIR' BRAND
- 3 - CABLE ENTRIES - 2 Nos. M20 / 1/2" NPT / 3/4" ET SIZE CABLE ENTRIES FROM SIDE (REFER DRAWING)
- 4 - TERMINALS - 6 Nos. 2.5sq. mm (MICRO) CLIP-ON TYPE TERMINALS OF 'ELMEY/CONNECTWELL' MAKE

Light Fitting Standard Specification :

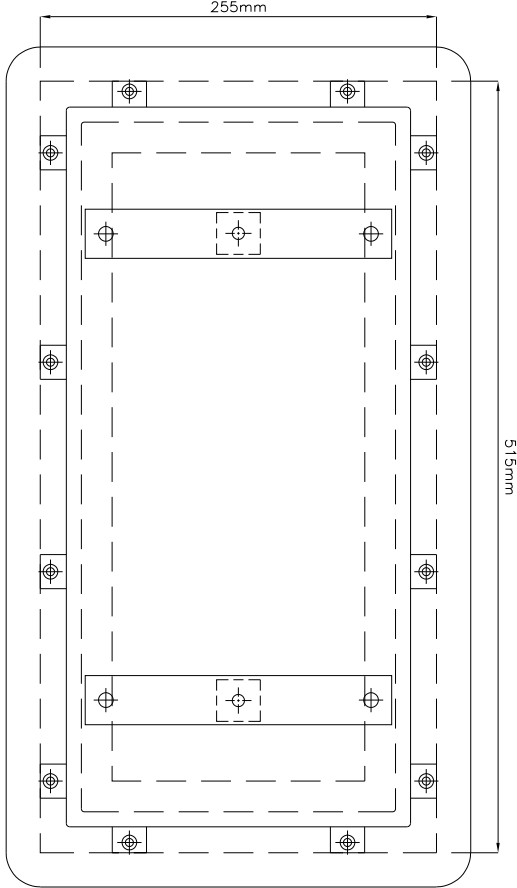
- a) WATTAGE : 75 WATTS
- b) VOLTAGE : 140V-270V AC
- c) POWER FACTOR : >0.95
- d) INPUT FREQUENCY : 50 Hz
- e) EFFICACY : >100 LUMEN PER WATT
- f) COLOUR (CCT) : 3000K/5700K/6500K/OR AS SPECIFIED
- g) CRI : >80 RA
- h) TOTAL HARMONIC DISTORTION : ≤ 10% THD
- i) SURFACE TEMPERATURE : MAX. 70°
- j) SURGE PROTECTION : 10 KV SPD

NOTE :

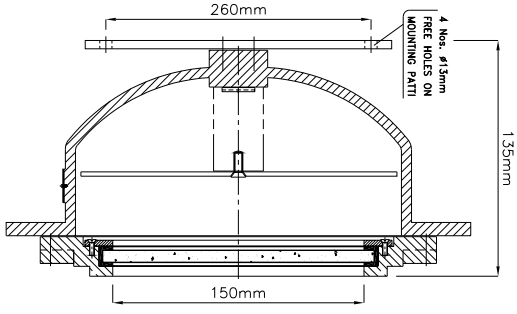
COMPONENT LAYOUT IS TENTATIVE RELOCATION OF PARTS & COMPONENTS IS POSSIBLE AT THE TIME OF ACTUAL MANUFACTURING.

OVERALL DIMENSIONS ARE ±10mm

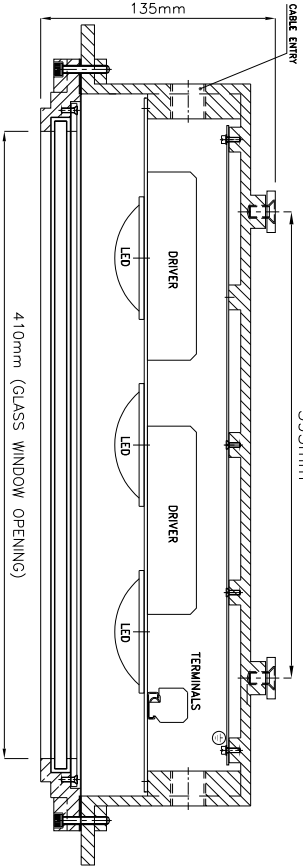
REV.	DATE	DESCRIPTION	DRN.	CHNO.	APPO.	SCALE	CAT. No.	CRF/1273
							MODEL No.	CRF/1273/75/75
Δ			DRN.				PROJID	
			CHKD.					
Δ			APPO.					
Δ			SHEET	1	OF	1		
Δ			N. T. S.				REV.-0	
<p>SUDHIR SWITCHGEARS PVT. LTD. 130, MULBA SAKAWARE MARG, MULBAH - 400 023</p> <p>TITLE : FLP-WP ENCLOSURE FOR LIGHT FITTING SUITABLE FOR 75 WATTS LED LIGHT</p> <p>CHKD. CERT. No. : IN/CIMFR/TR22/P/2462</p> <p>Dt. 31/03/2014</p> <p>PESO No. : BIS LICENCE No. :</p>								



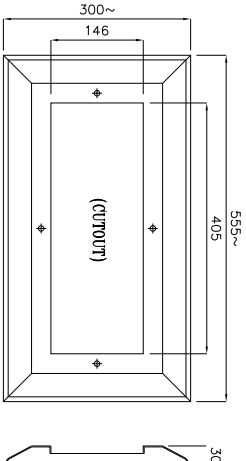
LIGHT FITTING - (VIEW FROM TOP SIDE)
TYPE - 3 (BOTTOM OPENING DESIGN)



Sectional side view



Sectional side view



S.S. FRAME (for Clean Room Area)

Light Fitting OPTIONS:

- 1) MATERIAL CONSTRUCTION : STAINLESS STEEL
- 2) VOLTAGE : 220V DC/110V AC/110V DC/24V AC
- 3) GLASS TYPE : FLAT
- 4) LED MAKE : CITIZEN/OSRAM/BRIDGELUX/EQUIVALENT
- 5) DRIVER MAKE : OSRAM/PHILIPS/FULHAM/EQUIVALENT
- 6) CABLE GLAND & PLUG : BRASS/S.S./ALUMINIUM
- 7) WIRE GUARD : M.S. WHITE EPOXY POWDER COATED / S.S.
- 8) CLEAN ROOM FRAME : S.S. FRAME FOR CLEAN ROOM AREA (REFER DRG.)

Reference IS/IEC Standard as follows :

- 1 - FLAMEPROOF (Ex d) PROTECTION - IIA & IIB, IS/IEC 60079-1 (2014)
- TEMPERATURE CLASS - T6
- 2 - INGRESS (IP) PROTECTION - IP-66, IS/IEC 60529 (2001). (Reaffirmed 2014)

Standard Specification :

- 1 - MATERIAL - CAST ALUMINIUM ALLOY
- 2 - FINISH - INSIDE & OUTSIDE LIGHT GREY EPOXY POWDER COATING SHADE No. 631 AS PER IS-5
- 3 - EARTHING - 1 No. INSIDE & 2 Nos. OUTSIDE M6 SIZE S.S./BRASS SCREWS WITH 2 Nos. PLAIN WASHER
- 4 - HARDWARE - STAINLESS STEEL
- 5 - GASKET - NEOPRENE RUBBER GASKET
- 6 - MOUNTING ARRGT. - AS SHOWN IN DRG.

Material / Components Specification :

- 1 - S.S. NAME CUM WARNING PLATE (WITH DESCRIPTION TITLE, CIMFR, PESO, SR. NO., GAS GROUP, RATING, BIS MARKING, WARNING STATUS, etc...)
- 2 - GLASS - HEAT RESISTANCE CLEAR TOUCHED GLASS 'TYPE-A' OF 'SUDHIR' BRAND
- 3 - CABLE ENTRIES - 2 Nos. M20 / 1/2" NPT / 3/4" ET SIZE CABLE ENTRIES FROM SIDE (REFER DRAWING)
- 4 - TERMINALS - 6 Nos. 2.5sq. mm (MICRO) CLIP-ON TYPE TERMINALS OF 'ELMEY/CONNECTWELL' MAKE

Light Fitting Standard Specification :

- a) WATTAGE : 90 WATTS
- b) VOLTAGE : 140V-270V AC
- c) POWER FACTOR : >0.95
- d) INPUT FREQUENCY : 50 Hz
- e) EFFICACY : >100 LUMEN PER WATT
- f) COLOUR (CCT) : 3000K/5700K/6500K/OR AS SPECIFIED
- g) CRI : >80 RA
- h) TOTAL HARMONIC DISTORTION : <= 10% THD
- i) SURFACE TEMPERATURE : MAX. 70°
- j) SURGE PROTECTION : 10 KV SPD

NOTE :

COMPONENT LAYOUT IS TENTATIVE RELOCATION OF PARTS & COMPONENTS IS POSSIBLE AT THE TIME OF ACTUAL MANUFACTURING.

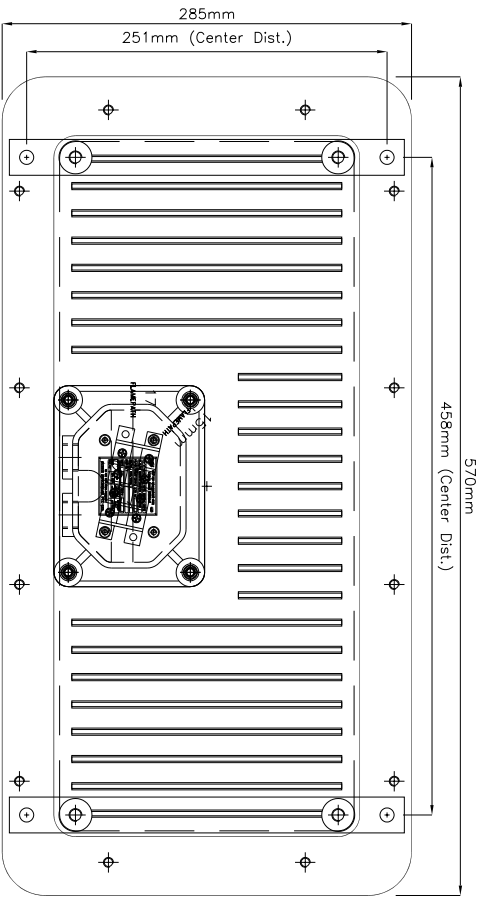
OVERALL DIMENSIONS ARE ±10mm

REV.		DATE	DESCRIPTION	DRN.	CHNO.	APPO.	SCALE	CAT. No.	CRF/1273
Δ								MODEL No.:	CRF/1273/73/90
Δ								DRN.	profill
Δ								CHNO.	JASNAK
Δ								APPO.	
Δ								SHEET	1 OF 1
Δ								N. T. S.	REV.-0
Δ								DRN.	
Δ								CHNO.	
Δ								APPO.	
Δ								SCALE	

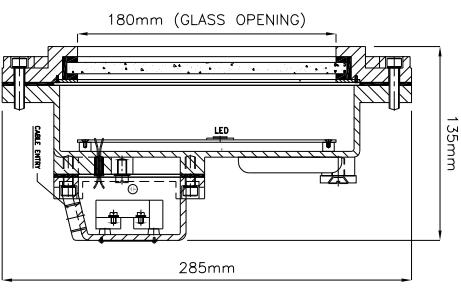
SUDHIR SWITCHGEARS PVT. LTD.
130, MULBA SAKSHI MARG, MULBA - 400 023

TITLE : FLIP-WP ENCLOSURE FOR LIGHT FITTING
SUITABLE FOR 90 WATTS LED LIGHT

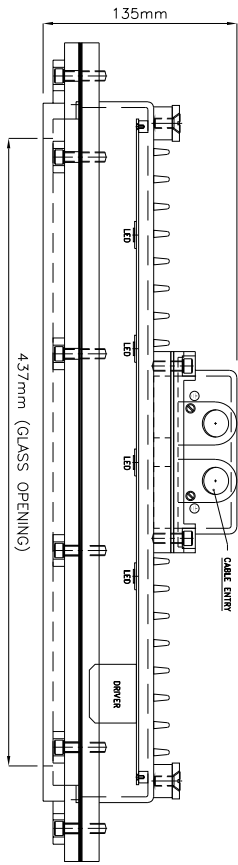
DRN. CERT. No. : IN/CIMFR/TR22/P/2462
Dt. : 31/03/2014
PESO No. :
BIS LICENCE No. :



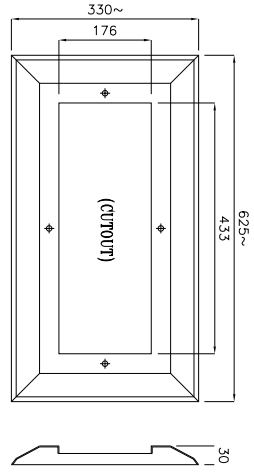
LIGHT FITTING - (VIEW FROM TOP SIDE)
TYPE - 4 (BOTTOM OPENING DESIGN)



Sectional side view



Sectional side view



Light Fitting OPTIONS:

- 1) MATERIAL CONSTRUCTION : STAINLESS STEEL
- 2) VOLTAGE : 220V DC/110V AC/110V DC/24V AC
- 3) GLASS TYPE : FLAT
- 4) LED MAKE : CITIZEN/OSRAM/BRIDGELUX/EQUIVALENT
- 5) DRIVER MAKE : OSRAM/PHILIPS/FULHAM/EQUIVALENT
- 6) CABLE GLAND & PLUG : BRASS/S.S./ALUMINIUM
- 7) WIRE GUARD : M.S. WHITE EPOXY POWDER COATED / S.S.
- 8) CLEAN ROOM FRAME : S.S. FRAME FOR CLEAN ROOM AREA (REFER DRG.)

NOTE :

COMPONENT LAYOUT IS TENTATIVE RELOCATION OF PARTS & COMPONENTS IS POSSIBLE AT THE TIME OF ACTUAL MANUFACTURING.

OVERALL DIMENSIONS ARE ±10mm

REV.	DATE	DESCRIPTION	DRN.	CHD.	APPD.	SCALE	CAT. No. CRF/1273	MODEL No.:	DRN.	profill	CHD.	JASKHAR	APPD.	DRN.	CHD.	APPD.	SCALE	IN/CIMFR/TR22/P/2462	DRN.	CHD.	APPD.	SCALE	REV.-0
<p>SUDHIR SWITCHGEARS PVT. LTD. 130, MALHA SAKASHAR MARG, MALHA - 400 023</p> <p>TITLE : FLP-WP ENCLOSURE FOR LIGHT FITTING SUITABLE FOR 30 WATTS LED LIGHT</p> <p>QMR. CERT. No. : _____ PISO No. : _____</p> <p>Dt. 31/03/2014</p> <p>BIS LICENCE No. : _____</p>																							

- Reference IS/IEC Standard as follows :
- 1 - FLAMEPROOF (Ex d) PROTECTION - IIA & IIB, IS/IEC 60079-1 (2014)
 - TEMPERATURE CLASS - T6
 - 2 - INGRESS (IP) PROTECTION - IP-66, IS/IEC 60529 (2001). (Reaffirmed 2014)

Standard Specification :

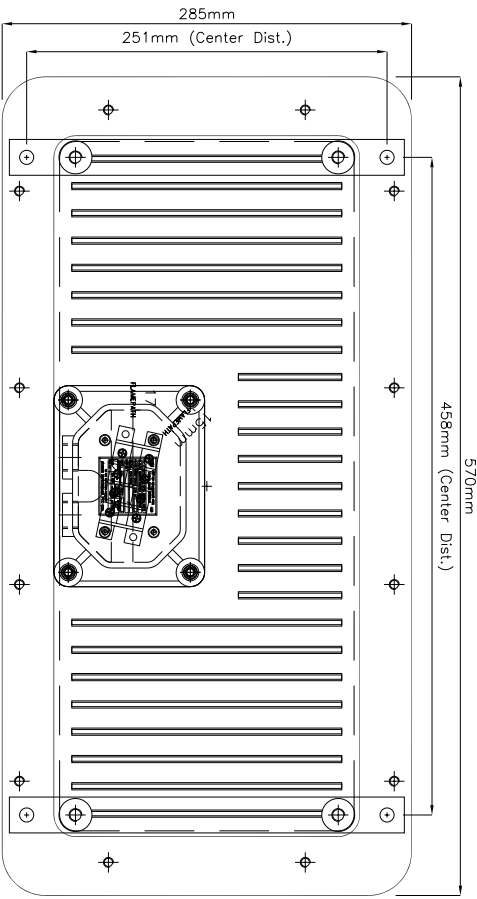
- 1 - MATERIAL - CAST ALUMINIUM ALLOY
- 2 - FINISH - INSIDE & OUTSIDE LIGHT GREY EPOXY POWDER COATING SHADE No. 631 AS PER IS-5
- 3 - EARTHING - 1 No. INSIDE & 2 Nos. OUTSIDE M6 SIZE S.S./BRASS SCREWS WITH 2 Nos. PLAIN WASHER
- 4 - HARDWARE - STAINLESS STEEL
- 5 - GASKET - NEOPRENE RUBBER GASKET
- 6 - MOUNTING ARRGT. - AS SHOWN IN DRG.

Material / Components Specification :

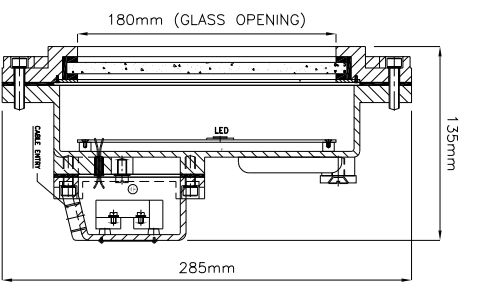
- 1 - S.S. NAME CUM WARNING PLATE (WITH DESCRIPTION TITLE, CIMFR, PESO, SR. NO., GAS GROUP, RATING, BIS MARKING, WARNING STATUS, etc...)
- 2 - GLASS - HEAT RESISTANCE CLEAR TOUGHENED GLASS 'TYPE-A' OF 'SUDHIR' BRAND
- 3 - CABLE ENTRIES - 2 Nos. M20 / 1/2" NPT / 3/4" ET SIZE CABLE ENTRIES FROM SIDE (REFER DRAWING)
- 4 - TERMINALS - 6 Nos. 2.5sq. mm (MICRO) CLIP-ON TYPE TERMINALS OF 'ELMEY/CONNECTWELL' MAKE

Light Fitting Standard Specification :

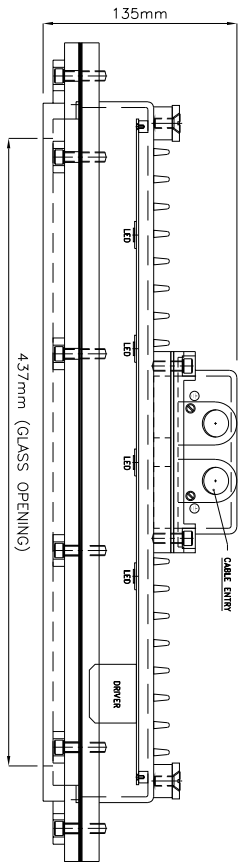
- a) WATTAGE : 30 WATTS
- b) VOLTAGE : 140V-270V AC
- c) POWER FACTOR : ≥0.95
- d) INPUT FREQUENCY : 50 Hz
- e) EFFICACY : ≥100 LUMEN PER WATT
- f) COLOUR (CCT) : 3000K/5700K/6500K/OR AS SPECIFIED
- g) CRI : ≥80 RA
- h) TOTAL HARMONIC DISTORTION : ≤ 10% THD
- i) SURFACE TEMPERATURE : MAX. 70°
- j) SURGE PROTECTION : 10 KV SPD



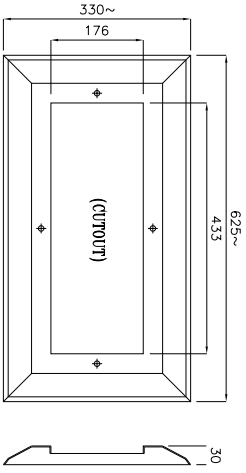
LIGHT FITTING - (VIEW FROM TOP SIDE)
TYPE - 4 (BOTTOM OPENING DESIGN)



Sectional side view



Sectional side view



S.S. FRAME (for Clean Room Area)

Light Fitting OPTIONS:

- 1) MATERIAL CONSTRUCTION : STAINLESS STEEL
- 2) VOLTAGE : 220V DC/110V AC/110V DC/24V AC
- 3) GLASS TYPE : FLAT
- 4) LED MAKE : CITIZEN/OSRAM/BRIDGELUX/EQUIVALENT
- 5) DRIVER MAKE : OSRAM/PHILIPS/FULHAM/EQUIVALENT
- 6) CABLE GLAND & PLUG : BRASS/S.S./ALUMINIUM
- 7) WIRE GUARD : M.S. WHITE EPOXY POWDER COATED / S.S.
- 8) CLEAN ROOM FRAME : S.S. FRAME FOR CLEAN ROOM AREA (REFER DRG.)

NOTE :

COMPONENT LAYOUT IS TENTATIVE RELOCATION OF PARTS & COMPONENTS IS POSSIBLE AT THE TIME OF ACTUAL MANUFACTURING.

OVERALL DIMENSIONS ARE ±10mm

<p>NOTE :</p> <p>COMPONENT LAYOUT IS TENTATIVE RELOCATION OF PARTS & COMPONENTS IS POSSIBLE AT THE TIME OF ACTUAL MANUFACTURING.</p> <p>OVERALL DIMENSIONS ARE ±10mm</p>		<p>CAT. No.</p> <p>CRF/1273</p>
<p>SUDHIR SWITCHGEARS PVT. LTD.</p> <p>130, MULBARI SAMACHAR MARG, MULBARI - 400 023</p>		<p>Model No.:</p> <p>CRF/1273/14/45</p>
<p>TITLE : FLP-WP ENCLOSURE FOR LIGHT FITTING</p> <p>SUITABLE FOR 45 WATTS LED LIGHT</p>		<p>DRW. No.</p> <p>IN/CIMFR/TR22/P/2462</p>
<p>REV.</p>	<p>DATE</p>	<p>DRW. CHD. APPD. SCALE</p>
<p>DESCRIPTION</p>	<p>DRW. CHD. APPD. SCALE</p>	<p>DRW. CHD. APPD. SCALE</p>
<p>REV.</p>	<p>DATE</p>	<p>DRW. CHD. APPD. SCALE</p>

Reference IS/IEC Standard as follows :

- 1 - FLAMEPROOF (Ex d) PROTECTION - IIA & IIB, IS/IEC 60079-1 (2014)
- TEMPERATURE CLASS - T6
- 2 - INGRESS (IP) PROTECTION - IP-66, IS/IEC 60529 (2001). (Reaffirmed 2014)

Standard Specification :

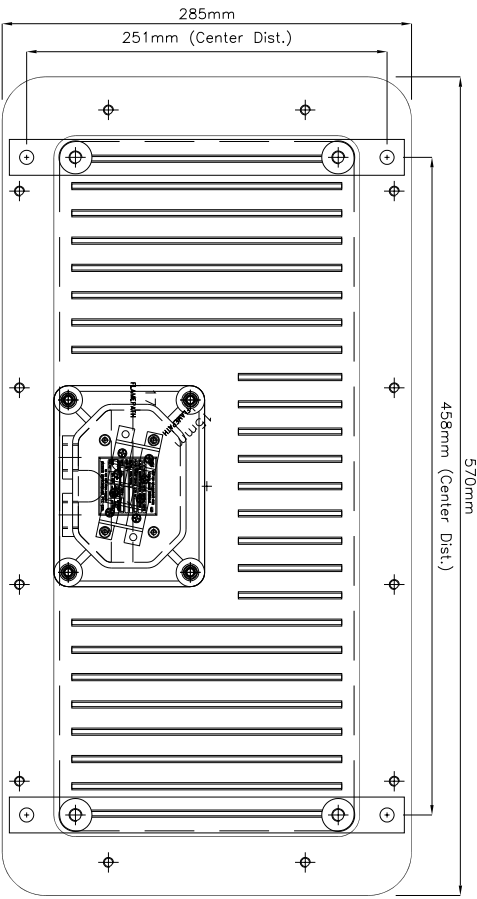
- 1 - MATERIAL - CAST ALUMINIUM ALLOY
- 2 - FINISH - INSIDE & OUTSIDE LIGHT GREY EPOXY POWDER COATING SHADE No. 631 AS PER IS-5
- 3 - EARTHING - 1 No. INSIDE & 2 Nos. OUTSIDE M6 SIZE S.S./BRASS SCREWS WITH 2 Nos. PLAIN WASHER
- 4 - HARDWARE - STAINLESS STEEL
- 5 - GASKET - NEOPRENE RUBBER GASKET
- 6 - MOUNTING ARRGT. - AS SHOWN IN DRG.

Material / Components Specification :

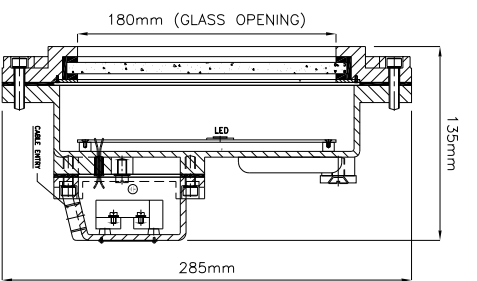
- 1 - S.S. NAME CUM WARNING PLATE (WITH DESCRIPTION TITLE, CIMFR, PESO, SR. NO., GAS GROUP, RATING, BIS MARKING, WARNING STATUS, etc...)
- 2 - GLASS - HEAT RESISTANCE CLEAR TOUGHENED GLASS 'TYPE-A' OF 'SUDHIR' BRAND
- 3 - CABLE ENTRIES - 2 Nos. M20 / 1/2" NPT / 3/4" ET SIZE CABLE ENTRIES FROM SIDE (REFER DRAWING)
- 4 - TERMINALS - 6 Nos. 2.5sq. mm (MICRO) CLIP-ON TYPE TERMINALS OF 'ELMEY/CONNECTWELL' MAKE

Light Fitting Standard Specification :

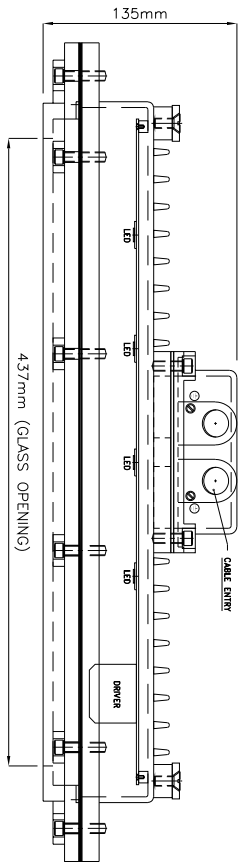
- a) WATTAGE : 45 WATTS
- b) VOLTAGE : 140V-270V AC
- c) POWER FACTOR : ≥0.95
- d) INPUT FREQUENCY : 50 Hz
- e) EFFICACY : ≥100 LUMEN PER WATT
- f) COLOUR (CCT) : 3000K/5700K/6500K/OR AS SPECIFIED
- g) CRI : ≥80 RA
- h) TOTAL HARMONIC DISTORTION : ≤ 10% THD
- i) SURFACE TEMPERATURE : MAX. 70°
- j) SURGE PROTECTION : 10 KV SPD



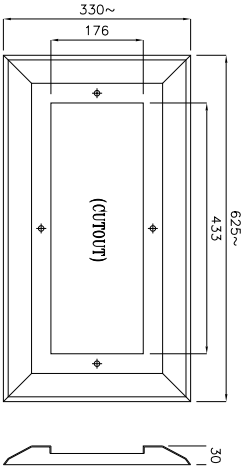
LIGHT FITTING - (VIEW FROM TOP SIDE)
TYPE - 4 (BOTTOM OPENING DESIGN)



Sectional side view



Sectional side view



S.S. FRAME (for Clean Room Area)

Light Fitting OPTIONS:

- 1) MATERIAL CONSTRUCTION : STAINLESS STEEL
- 2) VOLTAGE : 220V DC/110V AC/110V DC/24V AC
- 3) GLASS TYPE : FLAT
- 4) LED MAKE : CITIZEN/OSRAM/BRIDGELUX/EQUIVALENT
- 5) DRIVER MAKE : OSRAM/PHILIPS/FULHAM/EQUIVALENT
- 6) CABLE GLAND & PLUG : BRASS/S.S./ALUMINIUM
- 7) WIRE GUARD : M.S. WHITE EPOXY POWDER COATED / S.S.
- 8) CLEAN ROOM FRAME : S.S. FRAME FOR CLEAN ROOM AREA (REFER DRG.)

NOTE :

COMPONENT LAYOUT IS TENTATIVE RELOCATION OF PARTS & COMPONENTS IS POSSIBLE AT THE TIME OF ACTUAL MANUFACTURING.

OVERALL DIMENSIONS ARE ±10mm

<p>NOTE :</p> <p>COMPONENT LAYOUT IS TENTATIVE RELOCATION OF PARTS & COMPONENTS IS POSSIBLE AT THE TIME OF ACTUAL MANUFACTURING.</p> <p>OVERALL DIMENSIONS ARE ±10mm</p>		<p>CAT. No.</p> <p>CRF/1273</p>
<p>SUDHIR SWITCHGEARS PVT. LTD.</p> <p>130, MADHAV SAMACHAR MARG, MADHAV - 400 023</p>		<p>MODEL No.:</p> <p>CRF/1273/14/60</p>
<p>TITLE : FLP-WP ENCLOSURE FOR LIGHT FITTING</p> <p>SUITABLE FOR 60 WATTS LED LIGHT</p>		<p>DRW. No.</p> <p>CRF/1273/14/60</p>
<p>DRW. No.</p> <p>CRF/1273/14/60</p>	<p>CHKD. BY</p> <p>JASRAJ</p>	<p>DATE</p> <p>01/01/2014</p>
<p>APPD. BY</p> <p>[Signature]</p>	<p>DRG. No.</p> <p>IN/CIMFR/TR22/P/2462</p>	<p>REV. No.</p> <p>01</p>
<p>SCALE</p> <p>1:1</p>	<p>DATE</p> <p>31/03/2014</p>	<p>REV. No.</p> <p>01</p>
<p>DESCRIPTION</p>	<p>DRW. No.</p>	<p>REV. No.</p>

Reference IS/IEC Standard as follows :

- 1 - FLAMEPROOF (Ex d) PROTECTION - IIA & IIB, IS/IEC 60079-1 (2014)
- TEMPERATURE CLASS - T6
- 2 - INGRESS (IP) PROTECTION - IP-66, IS/IEC 60529 (2001). (Reaffirmed 2014)

Standard Specification :

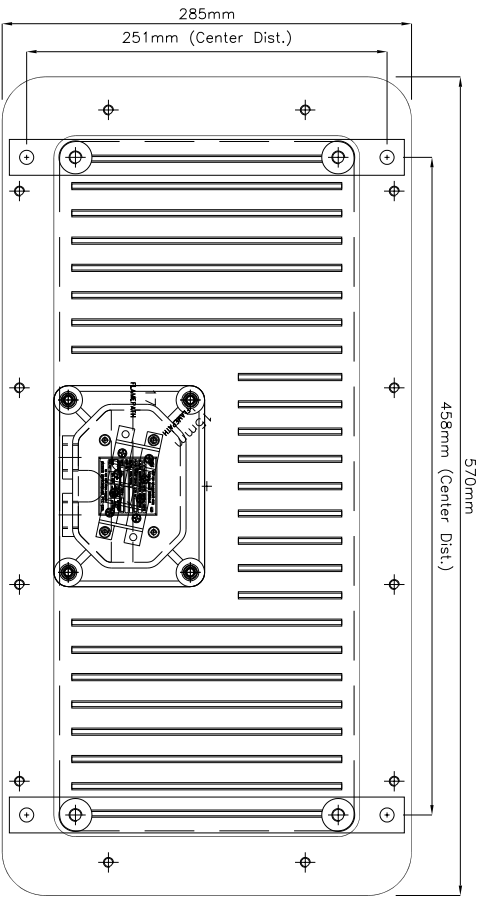
- 1 - MATERIAL - CAST ALUMINIUM ALLOY
- 2 - FINISH - INSIDE & OUTSIDE LIGHT GREY EPOXY POWDER COATING SHADE No. 631 AS PER IS-5
- 3 - EARTHING - 1 No. INSIDE & 2 Nos. OUTSIDE M6 SIZE S.S./BRASS SCREWS WITH 2 Nos. PLAIN WASHER
- 4 - HARDWARE - STAINLESS STEEL
- 5 - GASKET - NEOPRENE RUBBER GASKET
- 6 - MOUNTING ARRGT. - AS SHOWN IN DRG.

Material / Components Specification :

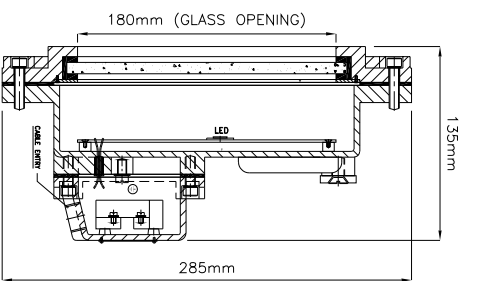
- 1 - S.S. NAME CUM WARNING PLATE (WITH DESCRIPTION TITLE, CIMFR, PESO, SR. NO., GAS GROUP, RATING, BIS MARKING, WARNING STATUS, etc...)
- 2 - GLASS - HEAT RESISTANCE CLEAR TOUGHENED GLASS 'TYPE-A' OF 'SUDHIR' BRAND
- 3 - CABLE ENTRIES - 2 Nos. M20 / 1/2" NPT / 3/4" ET SIZE CABLE ENTRIES FROM SIDE (REFER DRAWING)
- 4 - TERMINALS - 6 Nos. 2.5sq. mm (MICRO) CLIP-ON TYPE TERMINALS OF 'ELMEY/CONNECTWELL' MAKE

Light Fitting Standard Specification :

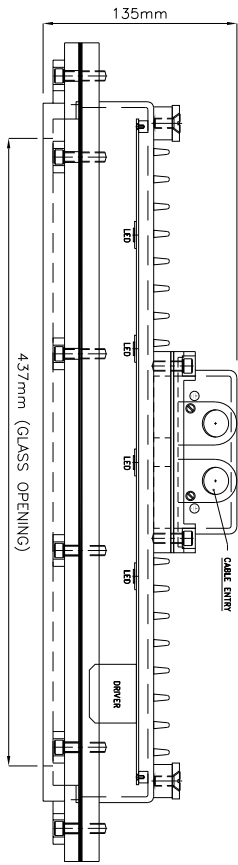
- a) WATTAGE : 60 WATTS
- b) VOLTAGE : 140V-270V AC
- c) POWER FACTOR : ≥0.95
- d) INPUT FREQUENCY : 50 Hz
- e) EFFICACY : ≥100 LUMEN PER WATT
- f) COLOUR (CCT) : 3000K/5700K/6500K/OR AS SPECIFIED
- g) CRI : ≥80 RA
- h) TOTAL HARMONIC DISTORTION : ≤ 10% THD
- i) SURFACE TEMPERATURE : MAX. 70°
- j) SURGE PROTECTION : 10 KV SPD



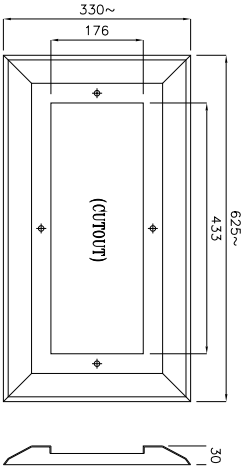
LIGHT FITTING - (VIEW FROM TOP SIDE)
TYPE - 4 (BOTTOM OPENING DESIGN)



Sectional side view



Sectional side view



S.S. FRAME (for Clean Room Area)

Light Fitting OPTIONS:

- 1) MATERIAL CONSTRUCTION : STAINLESS STEEL
- 2) VOLTAGE : 220V DC/110V AC/110V DC/24V AC
- 3) GLASS TYPE : FLAT
- 4) LED MAKE : CITIZEN/OSRAM/BRIDGELUX/EQUIVALENT
- 5) DRIVER MAKE : OSRAM/PHILIPS/FULHAM/EQUIVALENT
- 6) CABLE GLAND & PLUG : BRASS/S.S./ALUMINIUM
- 7) WIRE GUARD : M.S. WHITE EPOXY POWDER COATED / S.S.
- 8) CLEAN ROOM FRAME : S.S. FRAME FOR CLEAN ROOM AREA (REFER DRG.)

NOTE :

COMPONENT LAYOUT IS TENTATIVE RELOCATION OF PARTS & COMPONENTS IS POSSIBLE AT THE TIME OF ACTUAL MANUFACTURING.

OVERALL DIMENSIONS ARE ±10mm

REV.		DATE	DESCRIPTION	DRN.	CHD.	APPD.	SCALE	CAT. No.	CRF/1273
Δ								Model No.:	CRF/1273/14/75
Δ								DRN.	profill
Δ								CHD.	JASNAK
Δ								APPD.	
Δ								SHEET	1 OF 1
Δ								N. T. S.	REV.-0
<p>NOTE:</p> <p>COMPONENT LAYOUT IS TENTATIVE RELOCATION OF PARTS & COMPONENTS IS POSSIBLE AT THE TIME OF ACTUAL MANUFACTURING.</p> <p>OVERALL DIMENSIONS ARE ±10mm</p>									<p>CRF/1273</p> <p>130, MULBARI SAMACHAR MARG, MULBARI - 400 023</p> <p>SUDHIR SWITCHGEARS PVT. LTD.</p> <p>TITLE : FLP-WP ENCLOSURE FOR LIGHT FITTING</p> <p>SUITABLE FOR 75 WATTS LED LIGHT</p> <p>CHDR. CERT. No. : IN/CIMFR/TR22/P/2462</p> <p>Dt. 31/03/2014</p> <p>PESO No. : .</p> <p>BIS LICENCE No. : .</p>

Reference IS/IEC Standard as follows :

- 1 - FLAMEPROOF (Ex d) PROTECTION - IIA & IIB, IS/IEC 60079-1 (2014)
- TEMPERATURE CLASS - T6
- 2 - INGRESS (IP) PROTECTION - IP-66, IS/IEC 60529 (2001). (Reaffirmed 2014)

Standard Specification :

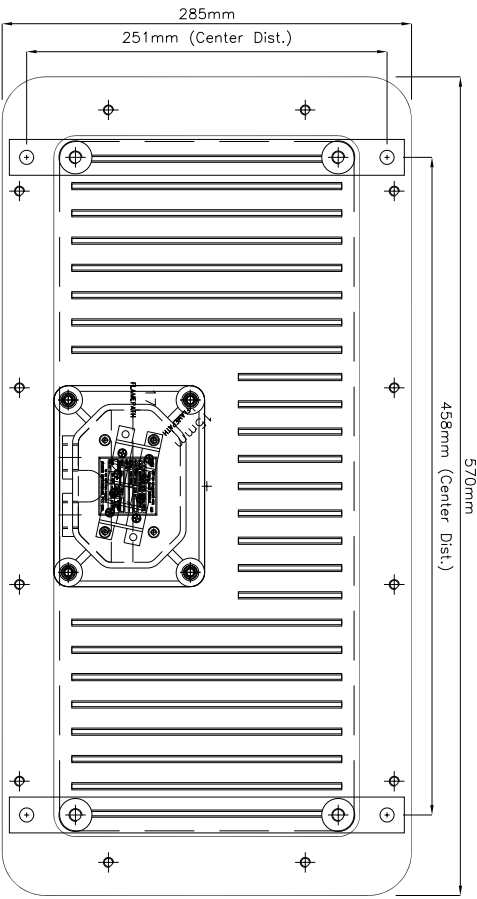
- 1 - MATERIAL - CAST ALUMINIUM ALLOY
- 2 - FINISH - INSIDE & OUTSIDE LIGHT GREY EPOXY POWDER COATING SHADE No. 631 AS PER IS-5
- 3 - EARTHING - 1 No. INSIDE & 2 Nos. OUTSIDE M6 SIZE S.S./BRASS SCREWS WITH 2 Nos. PLAIN WASHER
- 4 - HARDWARE - STAINLESS STEEL
- 5 - GASKET - NEOPRENE RUBBER GASKET
- 6 - MOUNTING ARRGT. - AS SHOWN IN DRG.

Material / Components Specification :

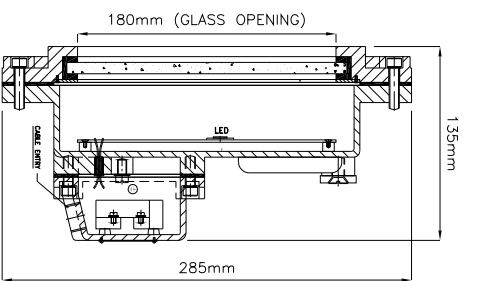
- 1 - S.S. NAME CUM WARNING PLATE (WITH DESCRIPTION TITLE, CIMFR, PESO, SR. NO., GAS GROUP, RATING, BIS MARKING, WARNING STATUS, etc...)
- 2 - GLASS - HEAT RESISTANCE CLEAR TOUGHENED GLASS 'TYPE-A' OF 'SUDHIR' BRAND
- 3 - CABLE ENTRIES - 2 Nos. M20 / 1/2" NPT / 3/4" ET SIZE CABLE ENTRIES FROM SIDE (REFER DRAWING)
- 4 - TERMINALS - 6 Nos. 2.5sq. mm (MICRO) CLIP-ON TYPE TERMINALS OF 'ELMEY/CONNECTWELL' MAKE

Light Fitting Standard Specification :

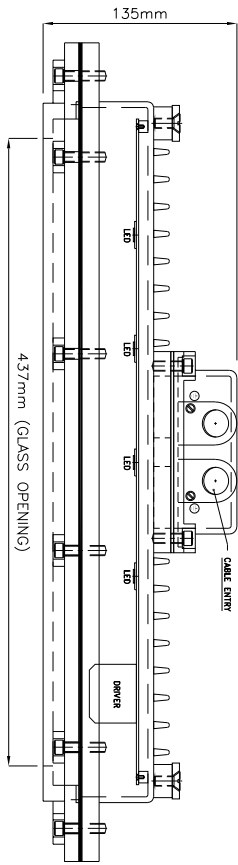
- a) WATTAGE : 75 WATTS
- b) VOLTAGE : 140V-270V AC
- c) POWER FACTOR : ≥0.95
- d) INPUT FREQUENCY : 50 Hz
- e) EFFICACY : ≥100 LUMEN PER WATT
- f) COLOUR (CCT) : 3000K/5700K/6500K/OR AS SPECIFIED
- g) CRI : ≥80 RA
- h) TOTAL HARMONIC DISTORTION : ≤ 10% THD
- i) SURFACE TEMPERATURE : MAX. 70°
- j) SURGE PROTECTION : 10 KV SPD



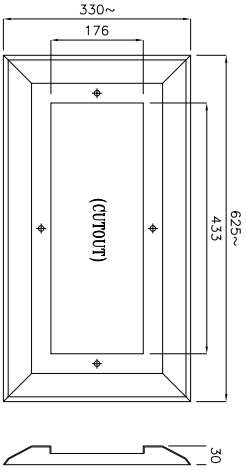
LIGHT FITTING - (VIEW FROM TOP SIDE)
TYPE - 4 (BOTTOM OPENING DESIGN)



Sectional side view



Sectional side view



S.S. FRAME (for Clean Room Area)

Light Fitting OPTIONS:

- 1) MATERIAL CONSTRUCTION : STAINLESS STEEL
- 2) VOLTAGE : 220V DC/110V AC/110V DC/24V AC
- 3) GLASS TYPE : FLAT
- 4) LED MAKE : CITIZEN/OSRAM/BRIDGELUX/EQUIVALENT
- 5) DRIVER MAKE : OSRAM/PHILIPS/FULHAM/EQUIVALENT
- 6) CABLE GLAND & PLUG : BRASS/S.S./ALUMINIUM
- 7) WIRE GUARD : M.S. WHITE EPOXY POWDER COATED / S.S.
- 8) CLEAN ROOM FRAME : S.S. FRAME FOR CLEAN ROOM AREA (REFER DRG.)

NOTE :

COMPONENT LAYOUT IS TENTATIVE RELOCATION OF PARTS & COMPONENTS IS POSSIBLE AT THE TIME OF ACTUAL MANUFACTURING.
OVERALL DIMENSIONS ARE ±10mm

<p>CRF/1273</p> <p>MODEL No.:</p> <p>CRF/1273/14/90</p> <p>DRW. JMS/KMK</p> <p>APPR. _____</p> <p>SHEET 1 OF 1</p> <p>SCALE N.T.S. REV.-0</p>		<p>CAT. No.</p> <p>CRF/1273</p> <p>130, MAHARAJA SAMADHAN MARG, MAHARAJA - 400 023</p> <p>SUDHIR SWITCHGEARS PVT. LTD.</p> <p>TITLE : FLP-WP ENCLOSURE FOR LIGHT FITTING</p> <p>SUITABLE FOR 90 WATTS LED LIGHT</p> <p>DRW. CERT. No. _____</p> <p>IN/CIMFR/TR22/P/2462</p> <p>Dt. 31/03/2014</p> <p>PESO No. : _____</p> <p>BIS LICENCE No. : _____</p>				
REV.	DATE	DESCRIPTION	DRW.	CHD.	APP.	SCALE
Δ						
Δ						
Δ						

Reference IS/IEC Standard as follows :

- 1 - FLAMEPROOF (Ex d) PROTECTION - IIA & IIB, IS/IEC 60079-1 (2014)
- TEMPERATURE CLASS - T6
- 2 - INGRESS (IP) PROTECTION - IP-66, IS/IEC 60529 (2001). (Reaffirmed 2014)

Standard Specification :

- 1 - MATERIAL - CAST ALUMINIUM ALLOY
- 2 - FINISH - INSIDE & OUTSIDE LIGHT GREY EPOXY POWDER COATING SHADE No. 631 AS PER IS-5
- 3 - EARTHING - 1 No. INSIDE & 2 Nos. OUTSIDE M6 SIZE S.S./BRASS SCREWS WITH 2 Nos. PLAIN WASHER
- 4 - HARDWARE - STAINLESS STEEL
- 5 - GASKET - NEOPRENE RUBBER GASKET
- 6 - MOUNTING ARRGT. - AS SHOWN IN DRG.

Material / Components Specification :

- 1 - S.S. NAME CUM WARNING PLATE (WITH DESCRIPTION TITLE, CIMFR, PESO, SR. NO., GAS GROUP, RATING, BIS MARKING, WARNING STATUS, etc...)
- 2 - GLASS - HEAT RESISTANCE CLEAR TOUGHENED GLASS 'TYPE-A' OF 'SUDHIR' BRAND
- 3 - CABLE ENTRIES - 2 Nos. M20 / 1/2" NPT / 3/4" ET SIZE CABLE ENTRIES FROM SIDE (REFER DRAWING)
- 4 - TERMINALS - 6 Nos. 2.5sq. mm (MICRO) CLIP-ON TYPE TERMINALS OF 'ELMEY/CONNECTWELL' MAKE

Light Fitting Standard Specification :

- a) WATTAGE : 90 WATTS
- b) VOLTAGE : 140V-270V AC
- c) POWER FACTOR : ≥0.95
- d) INPUT FREQUENCY : 50 Hz
- e) EFFICACY : ≥100 LUMEN PER WATT
- f) COLOUR (CCT) : 3000K/5700K/6500K/OR AS SPECIFIED
- g) CRI : ≥80 RA
- h) TOTAL HARMONIC DISTORTION : ≤ 10% THD
- i) SURFACE TEMPERATURE : MAX. 70°
- j) SURGE PROTECTION : 10 KV SPD